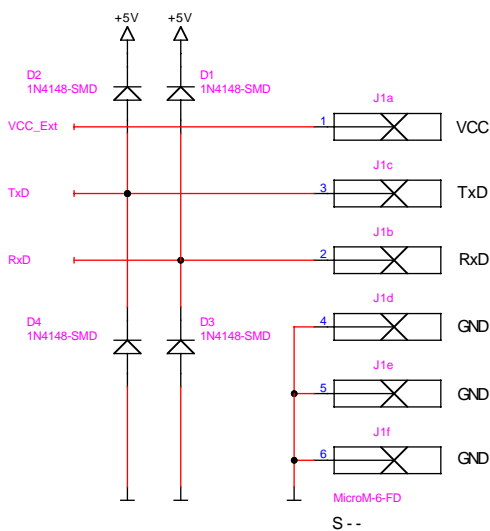


Connected not used
Connected not used

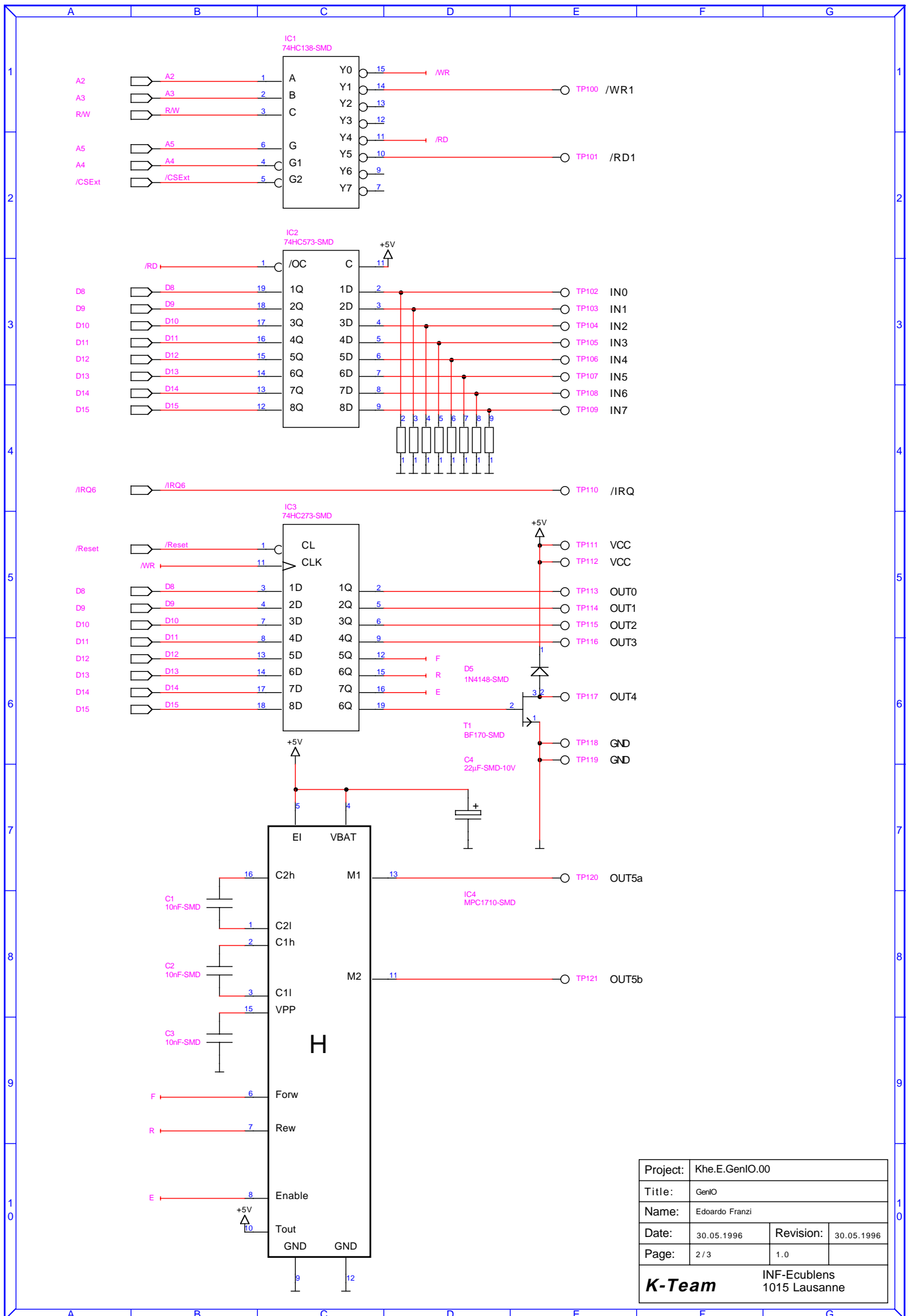
Connected not used

Connected not used
Connected not used
Connected not used
Connected not used

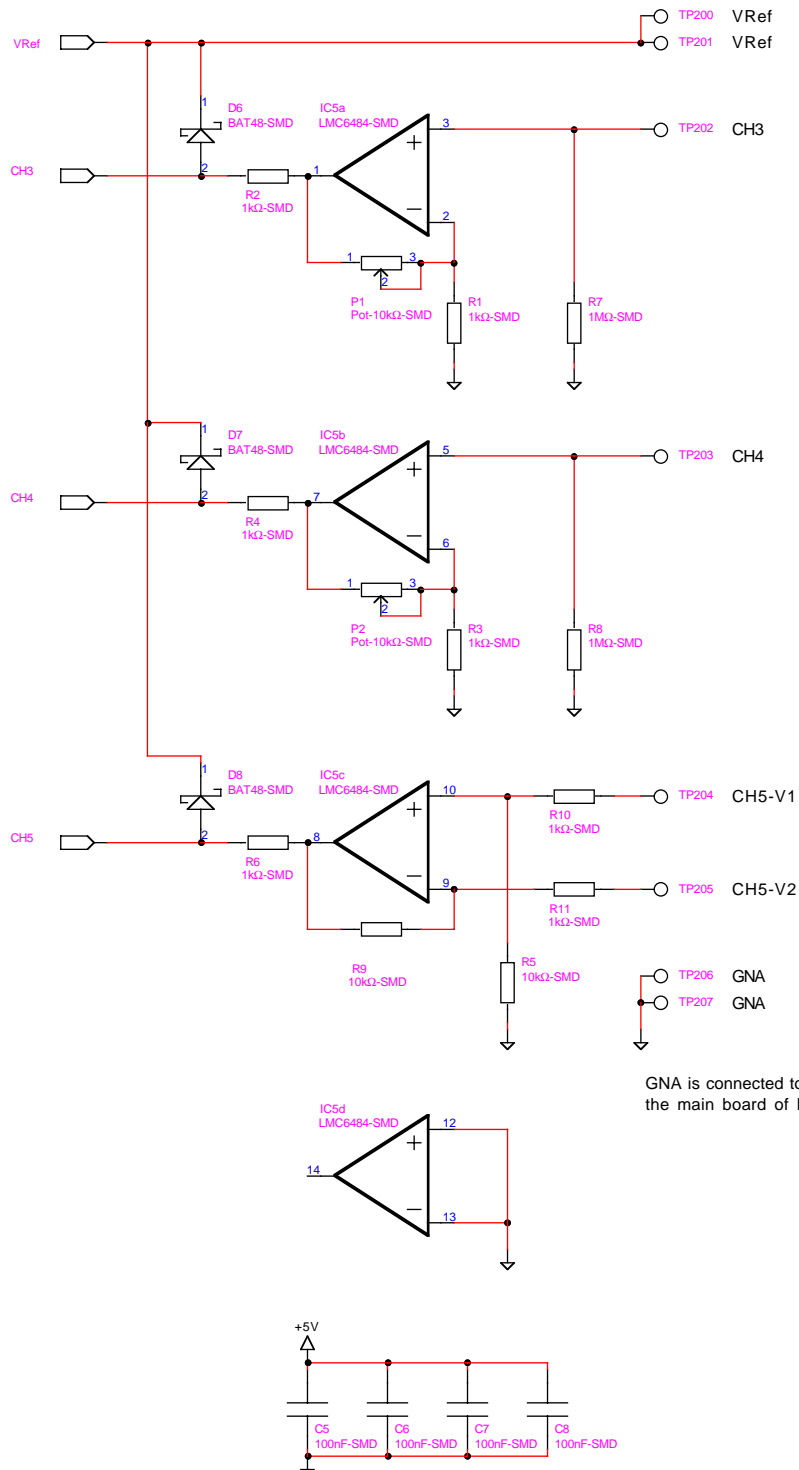


TP47, TP49..TP54 are reserved and should not be used for custom applications.

Project:	Khe.E.GenIO.00		
Title:	GenIO		
Name:	Edoardo Franzl		
Date:	30.05.1996	Revision:	30.05.1996
Page:	1 / 3	1.0	26.8.1994
K-Team		INF-Ecublens 1015 Lausanne	



Project:	Khe.E.GenIO.00		
Title:	GenIO		
Name:	Edoardo Franzl		
Date:	30.05.1996	Revision:	30.05.1996
Page:	2 / 3	1.0	
K-Team		INF-Ecublens 1015 Lausanne	



GNA is connected to GND on the main board of Khepera

Project:	Khe.E.GenIO.00		
Title:	GenIO		
Name:	Edoardo Franzl		
Date:	30.05.1996	Revision:	30.05.1996
Page:	3 / 3	1.0	
K-Team		INF-Ecublens 1015 Lausanne	