

# ***KOALA 2.5***

---

User manual



Revision 1.2

---

## Revisions history

Rev.	Date (EUR)	Description
1.0	21.02.2014	Initial creation
1.1	15.04.2014	Add Magnetometer description
1.2	25.04.2016	Correction of GPS data acquisition

## Documentation Authors

Julien Tharin, Frédéric Lambercy and Timothée Carron  
K-Team S.A.  
Z.I. Les Plans-Praz 28  
CH-1337 Vallorbe  
Switzerland

E-mail [info@k-team.com](mailto:info@k-team.com)  
URL [www.k-team.com](http://www.k-team.com)

## Trademark Acknowledgements

IBM PC : International Business Machines Corp.  
Macintosh : Apple Corp.  
SUN Sparc-Station : SUN Microsystems Corp.  
LabVIEW : National Instruments Corp.  
Matlab : MathWorks Corp.  
Khepera : K-Team and LAMI

## Legal Notice

- The content of this manual is subject to change without notice
- All efforts have been made to ensure the accuracy of the content of this manual. However, should any error be detected, please inform K-Team.
- The above notwithstanding, K-Team can assume no responsibility for any error in this manual.

# TABLE OF CONTENTS

---

<b>1</b>	<b>INTRODUCTION .....</b>	<b>1</b>
<b>1.1</b>	<b>HOW TO USE THIS HANDBOOK.....</b>	<b>1</b>
<b>1.2</b>	<b>SAFETY PRECAUTIONS.....</b>	<b>2</b>
<b>1.3</b>	<b>RECYCLING .....</b>	<b>2</b>
<b>2</b>	<b>UNPACKING AND INSPECTION.....</b>	<b>3</b>
<b>2.1</b>	<b>PACKAGE CONTENT .....</b>	<b>3</b>
<b>3</b>	<b>THE ROBOT AND ITS ACCESSORIES .....</b>	<b>4</b>
<b>3.1</b>	<b>GLOBAL VIEW .....</b>	<b>4</b>
<b>3.2</b>	<b>FIRST START-UP.....</b>	<b>7</b>
3.2.1	<i>Console access .....</i>	<i>7</i>
3.2.2	<i>Direct Connection .....</i>	<i>8</i>
<b>3.3</b>	<b>KOALA 2.5 ROBOT .....</b>	<b>10</b>
3.3.1	<i>Wheels and gear box.....</i>	<i>10</i>
3.3.2	<i>On/Off switch .....</i>	<i>10</i>
3.3.3	<i>Power LED .....</i>	<i>10</i>
3.3.4	<i>Charge LED.....</i>	<i>10</i>
3.3.5	<i>Power supply jack.....</i>	<i>11</i>
3.3.6	<i>Reset button .....</i>	<i>11</i>
3.3.7	<i>Ultrasonic sensors.....</i>	<i>11</i>
3.3.8	<i>Contacts for docking station.....</i>	<i>11</i>
3.3.9	<i>Pico-ITX .....</i>	<i>11</i>
3.3.10	<i>Microcontroller .....</i>	<i>12</i>
3.3.11	<i>GPS module .....</i>	<i>12</i>
3.3.12	<i>Accelerometer &amp; Gyroscope sensor .....</i>	<i>12</i>
<b>4</b>	<b>IN DEPTH LOOK.....</b>	<b>13</b>
<b>4.1</b>	<b>ULTRASONIC SENSORS .....</b>	<b>13</b>
<b>4.2</b>	<b>BATTERY .....</b>	<b>15</b>
4.2.1	<i>NiMH battery.....</i>	<i>15</i>
4.2.2	<i>Li-Pol battery .....</i>	<i>16</i>
4.2.3	<i>Li-Pol External charger .....</i>	<i>16</i>
<b>4.3</b>	<b>DOCKING STATION CONNECTION PADS .....</b>	<b>17</b>
<b>4.4</b>	<b>TERMINAL BLOCKS (GPIO &amp; SUPPLY).....</b>	<b>18</b>
<b>4.5</b>	<b>ACCELEROMETER .....</b>	<b>19</b>
<b>4.6</b>	<b>GYROSCOPE .....</b>	<b>20</b>
<b>4.7</b>	<b>GPS MODULE .....</b>	<b>22</b>
<b>4.8</b>	<b>PICO-ITX.....</b>	<b>23</b>
<b>4.9</b>	<b>MOTORS.....</b>	<b>25</b>
4.9.1	<i>Speed control ("D" command).....</i>	<i>27</i>
4.9.2	<i>Speed profile control ("K" command) .....</i>	<i>28</i>
4.9.3	<i>Position control ("F" command) .....</i>	<i>29</i>
4.9.4	<i>Open loop ("L" command).....</i>	<i>30</i>
<b>5</b>	<b>PROGRAMMING .....</b>	<b>31</b>
<b>5.1</b>	<b>INTRODUCTION.....</b>	<b>31</b>
<b>5.2</b>	<b>CONFIGURATION .....</b>	<b>31</b>
<b>5.3</b>	<b>PROGRAMMING .....</b>	<b>32</b>
<b>5.4</b>	<b>PROGRAMMING WITH ECLIPSE GUI .....</b>	<b>33</b>
<b>5.5</b>	<b>DEBUGGING .....</b>	<b>34</b>
5.5.1	<i>Direct debugging .....</i>	<i>34</i>
5.5.2	<i>Remote debugging.....</i>	<i>35</i>
<b>5.6</b>	<b>MICROCONTROLLER UPDATE .....</b>	<b>35</b>
<b>5.7</b>	<b>SERIAL PORT .....</b>	<b>35</b>
<b>5.8</b>	<b>TRANSFERRING FILES .....</b>	<b>36</b>
<b>6</b>	<b>SERIAL COMMUNICATION PROTOCOL.....</b>	<b>37</b>
<b>7</b>	<b>MECHANICAL DRAWINGS.....</b>	<b>46</b>
<b>8</b>	<b>WARRANTY .....</b>	<b>48</b>

# 1 INTRODUCTION

Thank you for buying a Koala 2.5 robot! The Koala 2.5 is a high end robot that will initiate your experience to the extraordinary world of mobile robotics. Thanks to its wealth of sensors, motors and its software openness, you will be able to create complex behavior, making you an expert of this promising technology.

## 1.1 How to use this handbook

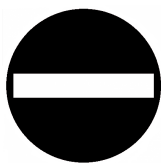
This handbook introduces the Koala 2.5 robot and its various operating modes.

If this handbook does not answer one of the problems you are confronted with, please consult the K-Team web site ([www.k-team.com](http://www.k-team.com)) and especially the Forum and the FAQs.

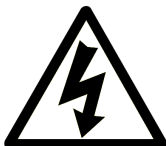
Three kinds of symbols are used in this document; in order to keep you and your robot safe, please respect them:



*Ignoring the mentioned warning could lead to malfunction or reduced performance.*



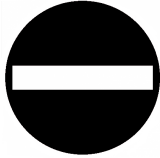
*Ignoring the mentioned warning could lead to perpetual damage and would void the warranty.*



*Danger: risk of electric shock*

## 1.2 Safety precautions

Here are some recommendations on how to correctly use the robot:



- **Keep the robot away from wet area.** Contact with water could cause malfunction and/or breakdown.
- **Store your robot in a stable position.** This will avoid the risk of falls, which could break it or cause damage to a person.
- **Use only the official charger or the cable which is delivered with the robot.** Do not try to use another charger; this can cause irreversible damage to the battery and or the electronics.
- **Do not attach any connector while the robot is powered.** To avoid any damage, make all connections when the robot power is off.
- **Never leave the robot powered when it is unused.** When you have finished working with the robot, turn it off. It will save the battery life.
- **Do not manually force any mechanical movement.** Avoid to force, by any mechanical way, the movement of the wheels or any other part.
- **Never open the case.** Only qualified technicians are allowed to do so.

## 1.3 Recycling

Think about the end of life of your robot! Parts of the robot can be recycled and it is important to do so. It is for instance mandatory to keep batteries out of the solid waste stream. When you throw away a battery, it eventually ends up in a landfill or municipal incinerator. This battery, which contains Lithium Polymer, can contribute to the toxicity levels of landfills or incinerator ash. By recycling the batteries through recycling programs, you can help to create a cleaner and safer environment for generations to come. For those reasons, please take care to the recycling of your robot at the end of its life cycle, for instance sending back the robot to the manufacturer or to your local dealer.

**Thank you for your contribution to a cleaner environment!**



Made in  
Switzerland



## **2 UNPACKING AND INSPECTION**

---

### **2.1 Package Content**

- Koala robot
- Battery
- Battery charger
- Power supply adapter

## 3 THE ROBOT AND ITS ACCESSORIES

---

### 3.1 Global View

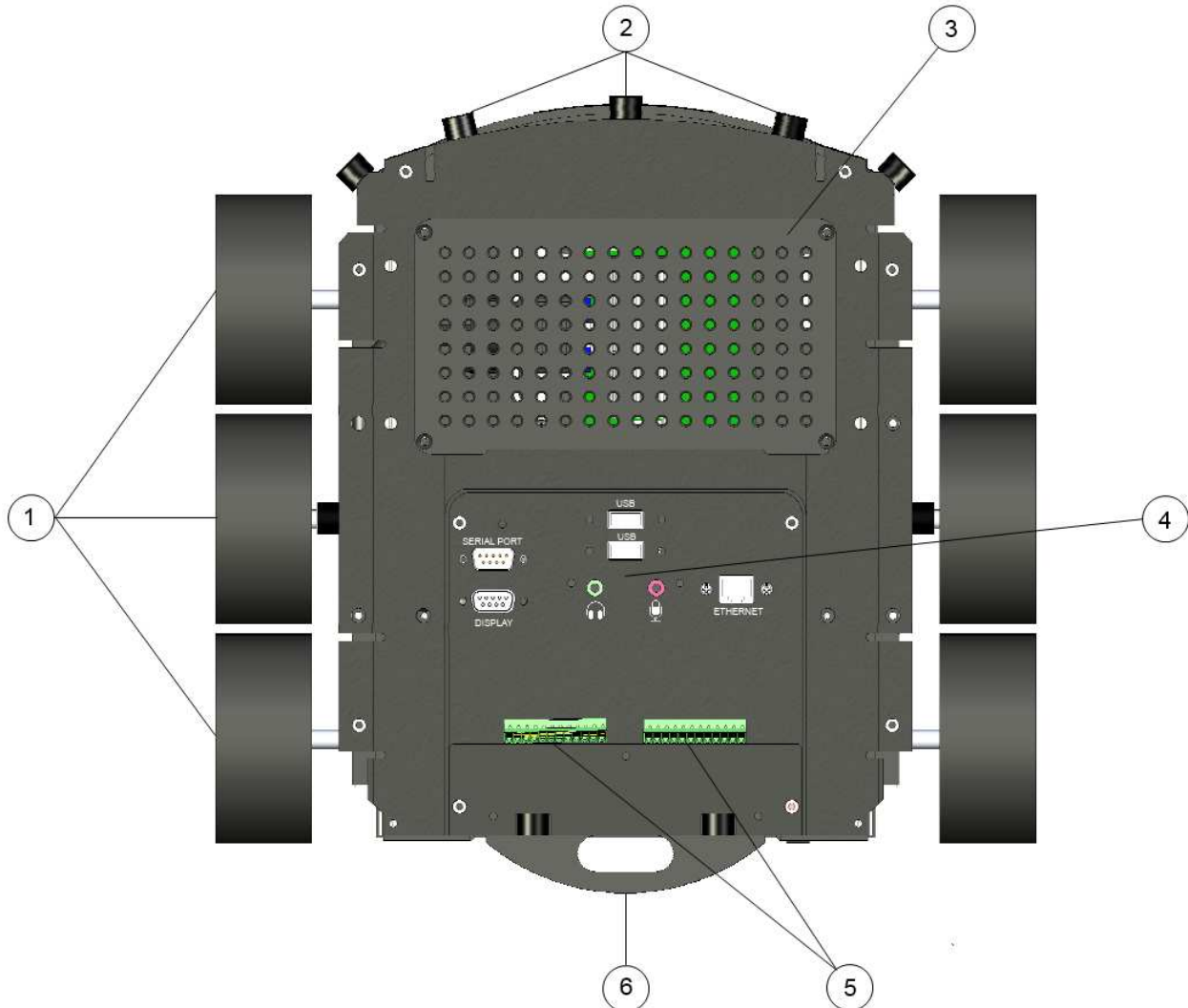


Figure 3.1 : Top view

- 1 Wheels
- 2 Ultrasonic sensor (9x)
- 3 Mounting plate
- 4 Pico-ITX Front Panel
- 5 IO and power supply terminal blocks
- 6 Battery

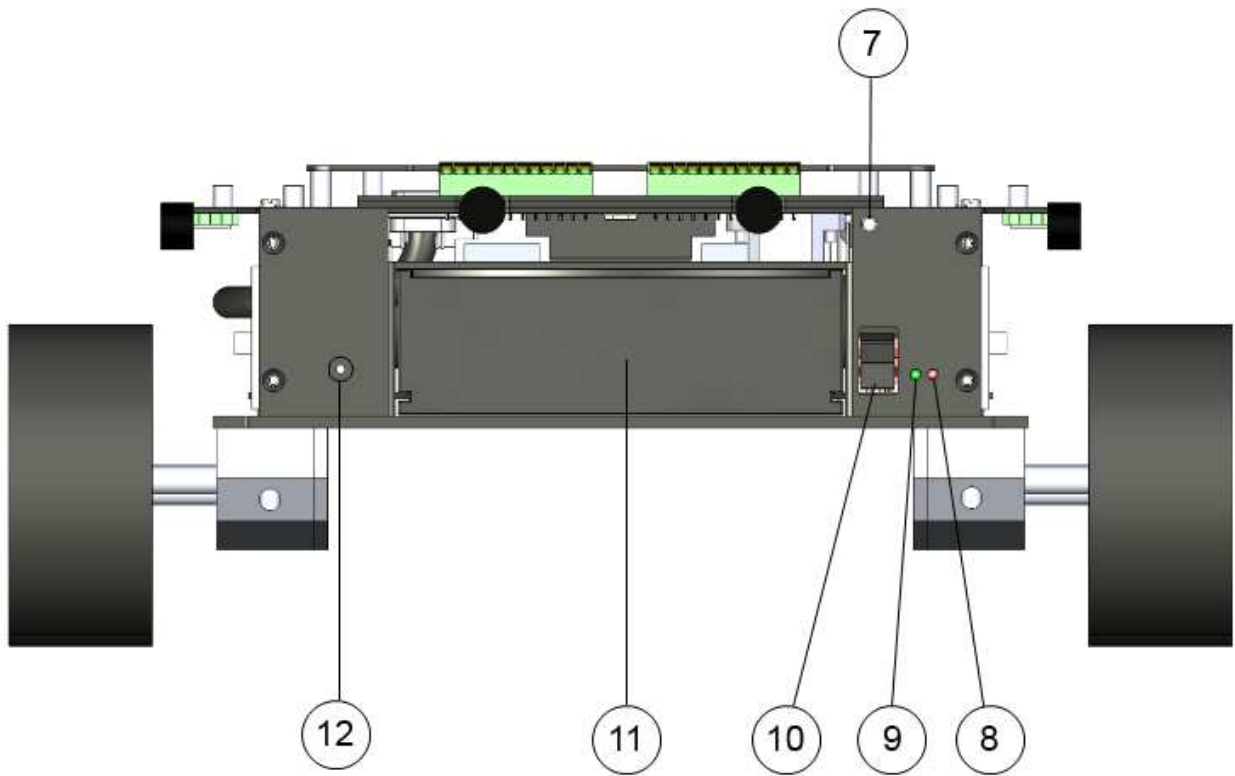
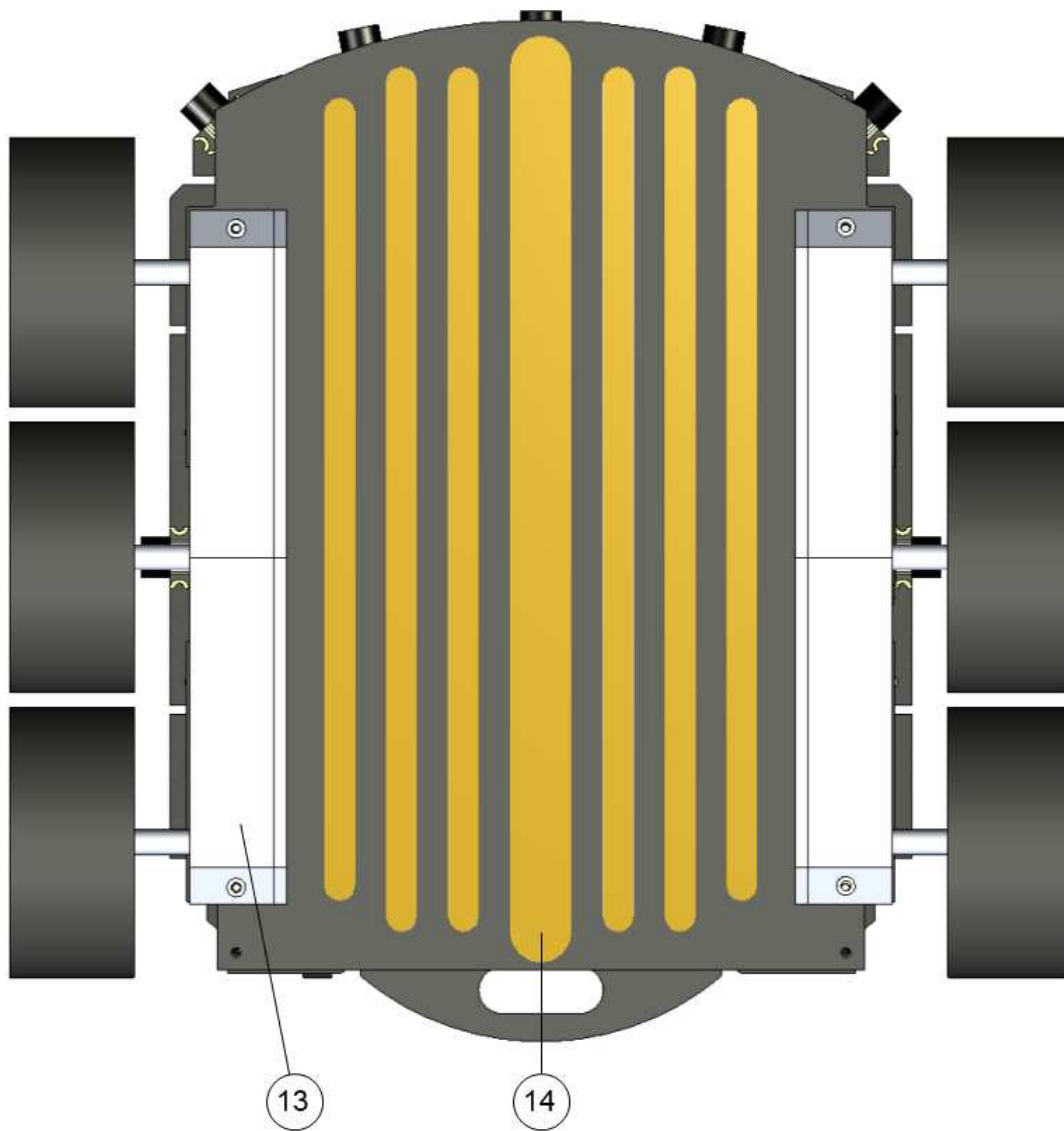


Figure 3.2 : Rear view

- 7 Reset button
- 8 Charge LED
- 9 Power LED
- 10 On/Off switch
- 11 Battery
- 12 External power supply connector





*Figure 3.3 : Bottom view*

- 13 Gear Box
- 14 Docking station connection

## 3.2 First start-up



*It is required, before to use the robot for the first time, to let the battery charge completely. In order to do that, remove the battery from the Koala and connect the battery to the dedicated charger. Please consider a time of 5 hours for the initial charge.*

You can test the Koala either with a serial cable to have console access or directly to the Koala itself via USB.

### 3.2.1 Console access

Connect a crossed (Null-Modem) serial cable on the top of the Koala to a computer with these settings: 115200 baud, 8N1). Open your serial software on your computer and use settings above.

For Windows, you can use **Teraterm** (<http://ttssh2.sourceforge.jp>).

On Linux, **minicom**:

Open a terminal console and type (example below based on Linux):

```
minicom -s
```

Go the "Serial port setup" menu and configure as described in figure 3.4 .

```
+-----+
| A - Serial Device : /dev/ttyUBS0
| B - Lockfile Location : /var/lock
| C - Callin Program :
| D - Callout Program :
| E - Bps/Par/Bits : 115200 8N1
| F - Hardware Flow Control : No
| G - Software Flow Control : No
|
| Change which setting?
+-----+
```

*Figure 3.4: Minicom serial parameters*

Save the settings with the command "**Save setup as dfl**" of the menu [configuration].

Switch on the robot power and wait for the login (you may need to push the ENTER key): **KOA2 login**

Enter the username **user** and password **koala**

Then execute the test program:

```
/home/user/koala_library/examples/koala_test
```

If the result is good (figure 3.5), you can see at the beginning the version of the Koala microcontroller software otherwise an error message is printed.

```
Koala V2.5 robot test program  
(C) K-Team S.A  
Koala version: A revision: 2  
PID set to default values: P=10 I=3 D=1  
...
```

*Figure 3.5 : koala\_test output*

You can quit with the keys **q** and **return**.

To shutdown the robot from the terminal use the command:

```
sudo shutdown -h now
```

Wait 15s, then you can switch off the robot power switch.

### **3.2.2 Direct Connection**

Connect a USB mouse and keyboard and a screen on the top of the Koala robot (4 : Pico-ITX front panel of figure 3.1).

Switch on the robot power, and wait for the login window. The user is **user** and password **koala**.

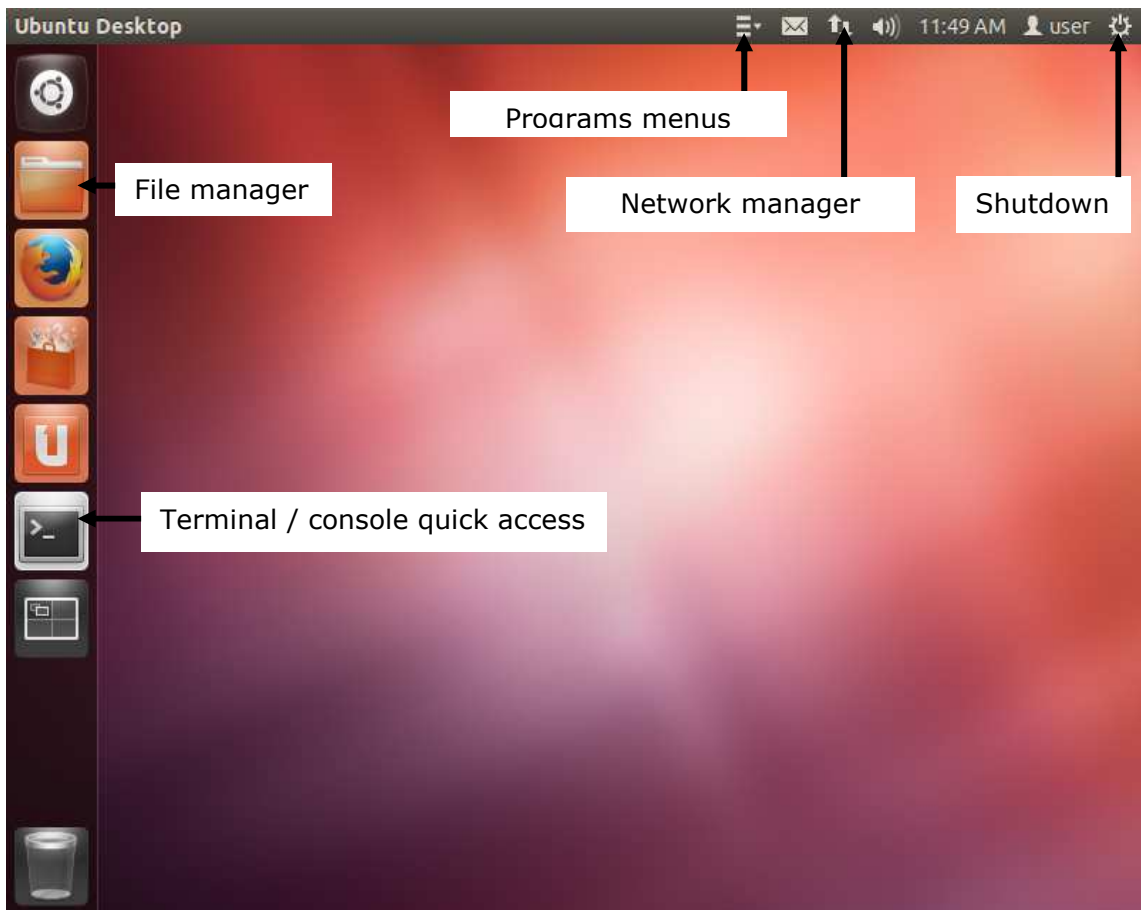


Figure 3.6 : Ubuntu desktop

Then open a Terminal and execute the following command (figure 3.6):

Execute the test program:

```
/home/user/koala_library/examples/koala_test
```

If the result is good (figure 3.7), you can see at the beginning the version of the Koala microcontroller software otherwise an error message is printed.

```
Koala V2.5 robot test program
(C) K-Team S.A
Koala version: A revision: 2
PID set to default values: P=10 I=3
D=1
...
```

Figure 3.7 : koala\_test output

You can quit with the keys **q** and **return**.

To shutdown the robot from, use the Shutdown menu (see Figure 3.6). Wait 15s, then you can switch off the robot power switch.

## **3.3 Koala 2.5 Robot**

### **3.3.1 Wheels and gear box**

The Koala is driven by two DC motors, one for the three left wheels and one for the three right wheels. The motors are coupled with the wheels through a 58.5:1 reduction gear. Each motor is equipped with an incremental encoder which delivers 100 pulses per revolution of the motor (increased to 400 pulses with the internal hardware).

This allows a resolution of 23'400 pulses per resolution of the wheel.

As the diameter of the wheel is approximately 82.5mm (could decrease to 80.5mm with a 3kg payload), the resolution is 90.3 pulses per mm.

### **3.3.2 On/Off switch**

This switch will have an action on the internal regulators of the robot and not on the battery, meaning that you can charge it even if it is off (only for the Li-Pol version, the NiMH battery can be charged only by the external charger). To turn the robot on, put the switch low. To turn it off, put the switch high.

When turned on, the onboard Pico-ITX will automatically start the installed OS.

Please be careful when turning off the system to first stop all applications on the Pico-ITX and halt the system (to avoid any loss of data).

### **3.3.3 Power LED**

This green LED indicates when the power supply is enabled (switch ON and battery or external supply plugged).

### **3.3.4 Charge LED**

This bicolor LED indicates the charge of the battery (only available with a Li-Pol battery). During the charge the LED is red and it turns to green when the charge is finished. This indication is only available if the Robot is turned on. If the robot is off, the LED will remain off, but the charge will be active. To know the state of the charge, turn on the robot.

### **3.3.5 Power supply jack**

This is the 2.5mm center positive jack used to charge the battery of the robot. Use only the provided adapter. This will supply the whole Koala and charge in the meantime the battery (Li-Pol version only). Input voltage is 15V (max 18V). Current drawn by the robot is 1A and battery charge is 2A, so the external supply must be able to provide at least 3.5A.

### **3.3.6 Reset button**

This button resets the whole robot, including the Pico-ITX motherboard. A simple pulse on this button is enough to restart the whole system.

### **3.3.7 Ultrasonic sensors**

There are 9 ultrasonic sensors, 1 on both sides, 5 in the front of the robot and 2 at the back. With these sensors, the robot is able to see obstacles from approx. 250 to approx. 2500mm. Please notice that it is not possible to measure distance of nearer obstacles due to the principle of operation of this kind of sensors.

### **3.3.8 Contacts for docking station**

The Koala 2.5 has some apparent contacts below its body meaning that you could use a docking station to charge its battery or to communicate with it. The signals that are provided are: 15V DC input and I2C connection.

### **3.3.9 Pico-ITX**

The Koala 2.5 is provided with a Pico-ITX computer module with Intel Atom processor N2800 and 4GB DDR3 SO-DIMM. A SSD hard drive of 40GB (size can change due to evolution of available SSD) is already installed with an Ubuntu OS.

This computer will be the main intelligence of the robot which means that the Robot only executes command sent by the Pico-ITX through a serial port (see Serial communication for more details).

The main connectors of the computer are available on the TOP of the robot (Pico-ITX front panel):

- VGA Display connector
- Serial port connector (/dev/ttyS0)
- 2x USB 2.0 connector
- LAN interface
- Audio IN (MIC) and OUT (headset)

### 3.3.10 Microcontroller

The Koala 2.5 has a dsPIC33FJ64GS608 microcontroller which is dedicated to the sensors & motors management. This microcontroller cannot be programmed by the end-user but answers to a list of serial commands sent by the Pico-ITX (through /dev/ttyS1 COM port). See chapter "Microcontroller update".

### 3.3.11 GPS module

The Koala 2.5 is equipped with a GPS module UC530 from U-blox. As soon as the robot is turned ON, the GPS module will search for valid satellites. The robot must be placed outdoor in order to find enough GPS to get its position.

The dsPIC of the Koala will automatically retrieve main data from the GPS (position, speed, date, hour, etc...). But the user can also directly send NEMA command to the module to obtain more specific information (see "[NMEA\\_manual\\_for\\_Fastrax\\_IT500\\_Series\\_GPS\\_receivers.pdf](#)" documentation).

### 3.3.12 Accelerometer, Gyroscope & Magnetometer sensor

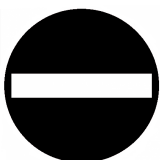
The Koala 2.5 is equipped with a LSM9DS0 iNEMO inertial module from ST. This module is a system-in-package featuring a 3D accelerometer, a 3D angular rate sensor and a 3D magnetometer. Coupled with the onboard GPS, this will provide a complete solution to make outdoor positioning and path finding.



*The max payload of the robot is 3.5kg.*



*Operating temperature range of the robot is 0 to 55°C.*



*Battery charging temperature range is 0 to 35°C. Never attempt to charge it by higher temperature.*

## 4 IN DEPTH LOOK

---

### 4.1 Ultrasonic sensors

Nine sensors are placed around the robot and are positioned and numbered as shown in figure below. These sensors are transceivers, meaning that they can emit and receive pulses.

The ultrasonic sensors are powered by a 85 Vpp source. The nominal frequency of these transducers is 40kHz +/- 1kHz.

The returned value is the distance to the object in centimeters, with a tolerance of +/-2cm. Measuring range is from 25 to 250cm.

If the obstacle distance is smaller than 25cm, the Koala will return a value of 0. If no obstacle is seen in the 250cm range, then the value will be set to 1000. Finally, when disabled, the sensor will always return 2000.

Each sensor can be disabled in order to get higher refresh rate for a particular one (or group). One sensor measure takes 20ms. All 9 sensors need 180ms to be read.

If the auto mode is enabled for the US sensor, every time all enabled sensor are refreshed, the dsPIC will print the value on the Pico-ITX serial port (every 180ms if all enabled, every 20ms if only one sensor enabled). This can be useful for application using the US sensors for obstacle avoidance. If all sensors are disabled and the auto mode is still active, no message will appear.

For more details about the ultrasonic sensor, please have a look at the 400PT12B datasheet from Prowave.



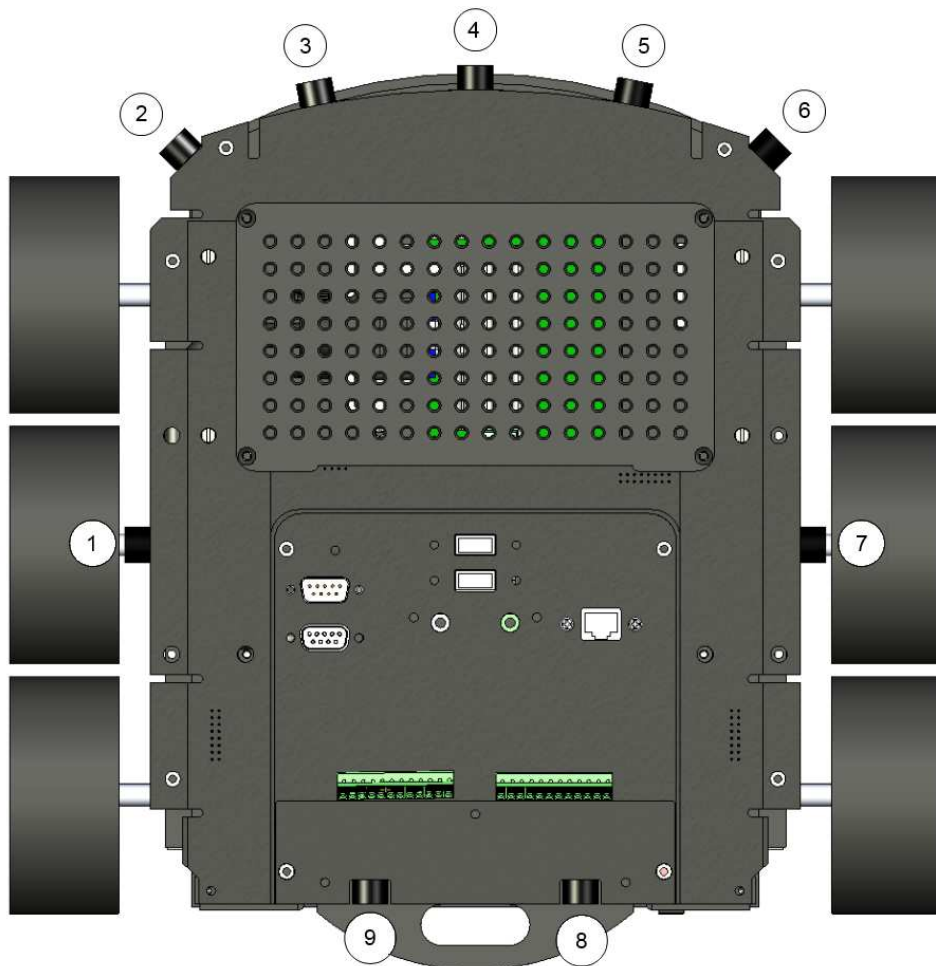
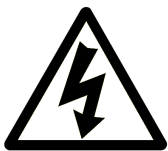


Figure 4.1 : Ultrasonic sensors viewed from top



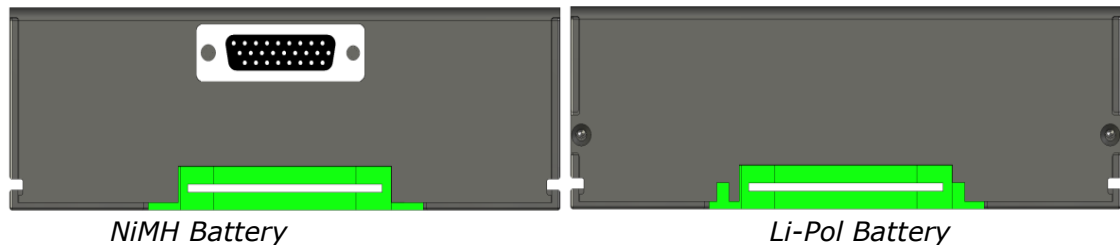
*Danger: High voltage! There is about 85Vpp on the PCB in the area of the ultrasonic sensors: never touch it!*



*Turn the ultrasonic sensors off while recording sound!*

## 4.2 Battery

The Koala 2.5 is provided with a removable battery. There are two types of available batteries for the Koala, a NiMH and a Li-POL. See the pictures below to determine the type of your battery:



There's another way to determine the type of battery. When the robot is turned on and the external supply is connected, the Koala can detect the type of battery (see the serial command protocol, command "V").

This command reads also the current and the voltage of the battery which can be used to calculate the remaining capacity (based on the standard discharge curve of the battery technology).

### 4.2.1 NiMH battery

The NiMH battery can be charged only using the dedicated external charger. If the battery is inserted in the Koala and the external power supply is connected, the battery won't be charged. The internal charger of the Koala will be automatically disabled to prevent any damage to the battery.

This allows the user to change the battery with another one fully charged without stopping the application (plug the external supply, then exchange the battery).

Nominal voltage	: 12V
Charging voltage	: 14V
Nominal capacity	: 3800mAh
Max discharge current	: 7600mA (2C)
Charging current	: 1000mA
Time for a complete charge	: about 6 to 7 hours

#### *NiMH Battery specification*

With this kind of battery the koala is able to run completely autonomously during more than 2 hours with the motor on and 3 hours with motors off, running with a basic configuration.

There's no specific power management on the Koala, the user must verify that the voltage does not drop below 10V to avoid damaging the cells.

### 4.2.2 Li-Pol battery

The Li-Pol battery can be charged either on the Koala itself (using the external power supply) or externally with the external charger. When charged on the Koala, the indication of the charge (Charge LED) is only available when the Robot is powered on. The LED is red when the charge is in progress and it turns to green when the charge is complete.

Nominal voltage	: 11.1V
Charging voltage	: 12.6V
Cut-off voltage	: 9V
Nominal capacity	: 5000mAh
Max discharge current	: 25000mA (5C)
Charging current	: 2000mA
Time for a complete charge	: about 4 to 5 hours

*Li-Pol Battery specification*

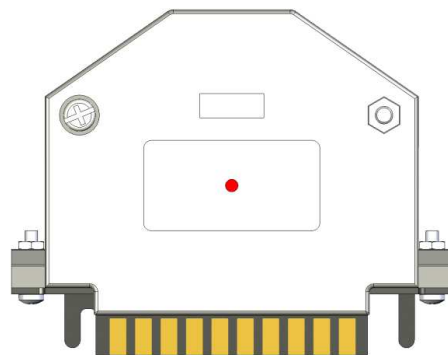
With this kind of battery, the koala is able to run completely autonomously during more than 2.5 hours with the motors on and 4 hours with motors off, running with a basic configuration.

There's no specific power management on the Koala, the battery will automatically cut-off when the voltage drops below 9V.

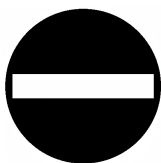
### 4.2.3 Li-Pol External charger

The Li-Pol External charger embeds the same charging system as the Koala. The charge duration will be exactly the same as with on-board charging. The only difference will be the LED.

On the external charger, there's only one red LED which turns ON when the battery is in current regulation mode. When switching to voltage regulation, the LED turns off. This means the battery is approximately at 90% of full charge. To complete a full charge, keep the charger connected around 1h after the red LED turns off. The polarity of the charger is defined by its two polarizing slots.



*Figure 4.3: Li-Pol External charger*



**Do not connect this charger to a NiMH Koala battery.**

### 4.3 Docking station connection pads

Five contact pads are situated below the robot and can be used to connect the Robot to a docking station. The pads are placed symmetrically to ensure a correct connection even if the Robot goes backwards on the docking station. The main purpose of these contacts is to charge the embedded battery (works only with Li-Pol Battery). Apply +15V between VIN and GND (max 18.0V) to perform the charge. The VIN signal is the same as the external power supply connector and will be available on the terminal blocks (+15V).

Communication with the outside is done via I<sup>2</sup>C external bus (level is 0 to +3.3V, same as the one available on the terminal blocks). Use level adapter if needed.

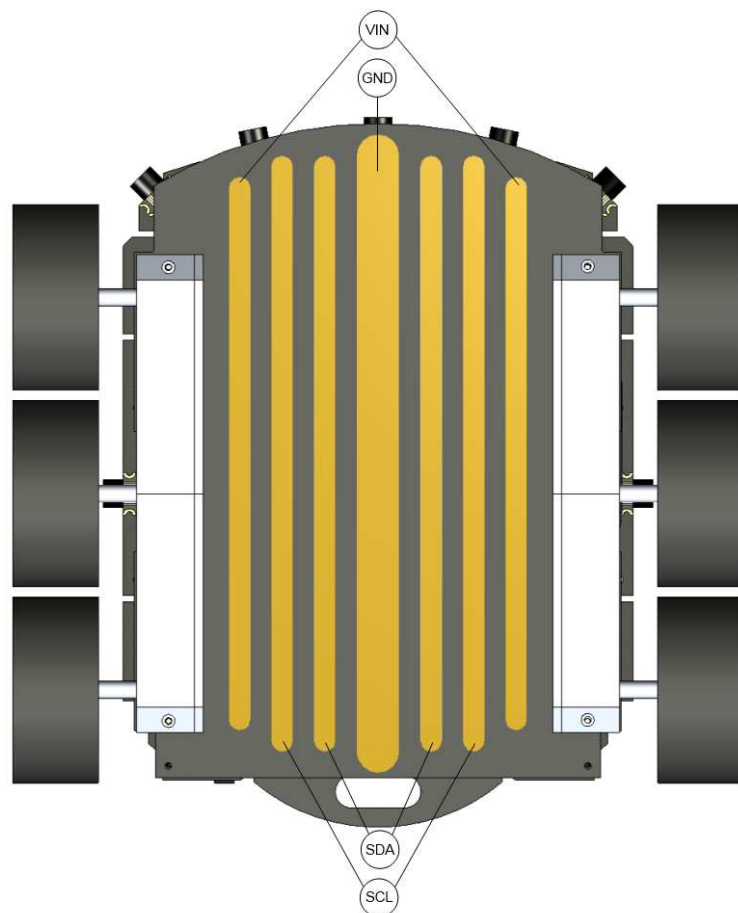
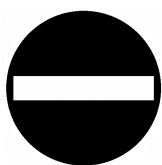


Figure 4.4: Contact pads viewed from bottom



*Never apply more than 18.0VDC between the VIN & GND contacts.*

## 4.4 Terminal blocks (GPIO & supply)

Two terminal blocks located at the rear of the robot provide different IO and power supply. The terminal blocks support wire from AWG 26 (0.2mm<sup>2</sup>) to AWG 16 (1.3mm<sup>2</sup>).



Figure 4.5: Terminal blocks connection

- +15V:** Direct connection of the External power supply voltage and VIN from the docking station. This supply output is protected by a 1.85A polyfuse.
- +Vbat:** Two connections of the battery voltage. Each output is protected by a 3A polyfuse. When an external power supply is connected, these two outputs will have the same voltage as the external supply.
- PW Output:** Power output connection. These four open-drain outputs could drive any charge up to 30V/3A. The protection will be made by the polyfuse of the selected voltage (+Vbat, +5V or +3.3V).
- Input:** Two digital inputs which can be read by the dsPIC (+3.3V level)
- +5V:** +5V power supply which can provide up to 1.85A (protected by a polyfuse).
- +3V3:** +3.3V power supply (protected by a 1.85A polyfuse)
- I2C:** I2C external bus to connect additional devices. The level of the bus must be +3.3V.
- ADC:** Two Analog to digital converter 10bits inputs. The measured voltage must be between 0V and +3.3V (3.3V=1023).
- GPIO:** Four GPIOs which can be configured as input, output or PWM output (used to drive servo motor). The level of these GPIOs is +3.3V. When configured as PWM, the frequency will be fixed at 50Hz and the ON time (duty cycle) can be configured between 1ms and 2ms.

## 4.5 Accelerometer

The accelerometer mounted on the Koala 2.5 is a LSM9DS0 from ST. This device includes in one package a 3D accelerometer, a 3D gyroscope and a 3D magnetometer.

The position of the device on the Koala is indicated below. The device is exactly at the middle of the wheels but not exactly on the rotation center (28.5mm in front). The device is located on the bottom of the main PCB.

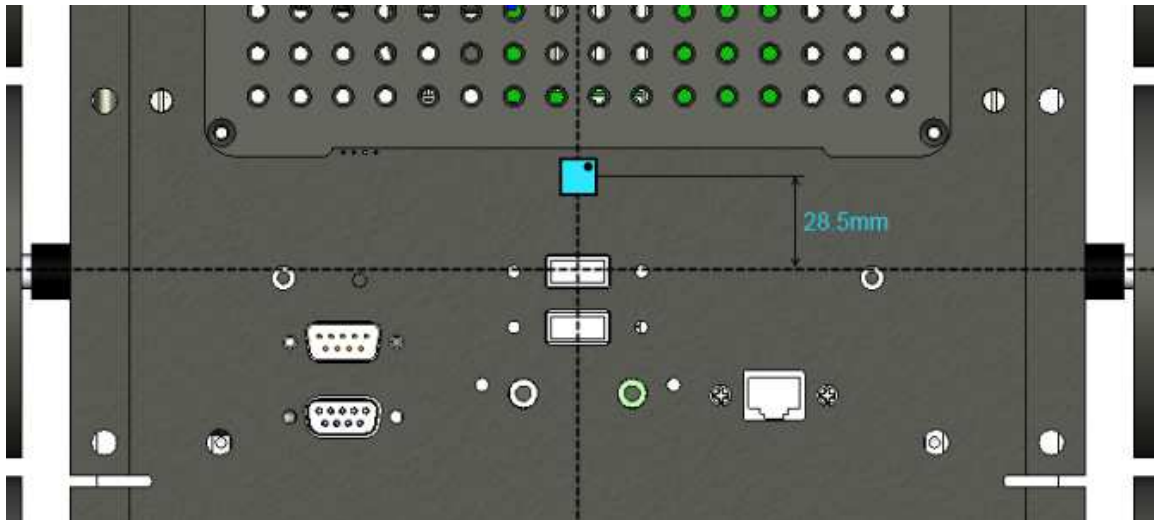


Figure 4.6: Position of the LSM9DS0

The accelerometer is oriented with the pin 1 to the front right; this returns a positive value for X axis when going forward. The Y axis is positive on the right, and finally Z axis is positive with the gravity.

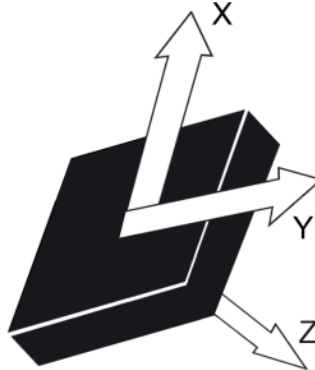


Figure 4.7: Direction of detectable accelerations (TOP view)

The accelerometer returns 16 bits data with a range of  $\pm 2g$ . This means a value of  $1g$  will return a value of  $16384$ . The data rate is configured to  $100Hz$ , as the dsPIC of the Koala refreshes 10 values at a time, the output on the Pico-ITX serial port will be 10 values (of each axis) sent every  $100ms$  (if auto mode activated).

## 4.6 Gyroscope

The gyroscope of the Koala is included in the same package as the accelerometer.

The directions of detectable angular rates are defined around the accelerometer axis.

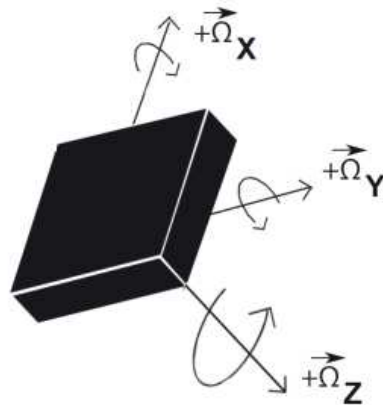


Figure 4.8: Direction of detectable angular rates (TOP view)

The data format is on 16 bits too, the full range is configured at +/- 2'000dps (360dps = 5'898) and the data rate is configured at 95Hz.

The gyroscope data are read by packet of 10 values at a time, which means the output data rate on the serial port will be 10 values (of each axis) every 105ms (if auto mode enabled).

## 4.7 Magnetometer

The magnetometer is a part of the LSM9DS0. The direction of detectable magnetic fields are shown below:

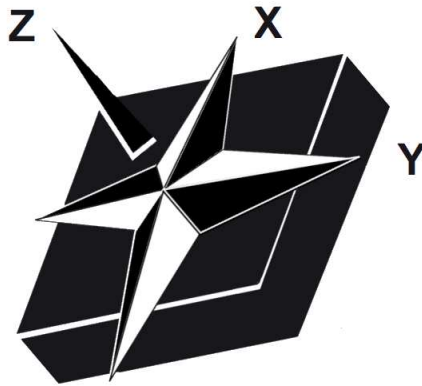


Figure 4.9: Direction of detectable magnetic fields (TOP view)

The data format is on 16 bits, the full range is configured at +/-2 gauss.

The magnetometer data is read one by one at the same time than the accelerometer. This means a new data is available every 100ms. If the auto mode is activated, a packet of 3 data (X, Y, Z) will be sent at a frequency of 10Hz.

The Magnetometer needs to be calibrated by the user to detect the middle point of each axis. It can be done easily for X and Y axis. Place the Koala on a flat surface, set a constant speed to turn the robot on itself (i.e. "D,10,-10"), and retrieve all the data (enable the auto mode).

Store the maximum and minimum value for each axis. The maximum value will indicate the North, the minimum the South.



## 4.8 GPS module

A GPS module UC530 from U-blox is mounted on the Koala. This module is placed at the rear of the Robot, just above the battery housing between the US sensors 8 & 9. To keep a good reception, do not place metallic parts near the GPS antenna.

The module supports NMEA-0183 rev 3.01 communication protocol and is configured at 115200bps.

The dsPIC of the Koala autonomously manages the main data acquisition (number of satellites, latitude and longitude position, date and hour, speed and altitude).

If you need more specific data, you can directly configure the GPS module using the "X" command (see "NMEA\_manual\_for\_Fastrax\_IT500\_Series\_GPS\_receivers.pdf" documentation for available commands) and enable the transparent mode to get all the NEMA commands sent by the GPS module (set auto mode bit 7, "A,128" command).

The module is configured to return new data every second. If the user enables the auto monitoring mode for the GPS ("A,64"), new data will be printed every second.



***Be careful, do not change baud rate of the GPS module, as the dsPIC will then be unable to retrieve data of the module. Do not change user parameters too, as the number of writes is limited to 8.***

## 4.9 Pico-ITX

The Pico-ITX mounted in the Koala 2.5 is a LP-172N motherboard based on an Intel Atom Processor N2800.

The main specifications of the Pico-ITX are listed below:

- Processor: Intel® Atom™ processor N2800, 1.86GHz
- Memory: 4GB DDR3 SO-DIMM
- Chipset: Intel® NM10 Express Chipset
- VGA interface: Intel® integrated extreme GMA 3650 technology
- Serial AT: SATAII interface with 300MB/s transfer rate
- Audio: Realtek ALC888 Audio
- LAN interface: Intel® 82583V Giga LAN
- Power: DC 5V input
- Hard drive: 40GB SSD
- Operating System: Ubuntu (Linux)

The motherboard and the SSD are located just below the mounting plate as shown in picture below:

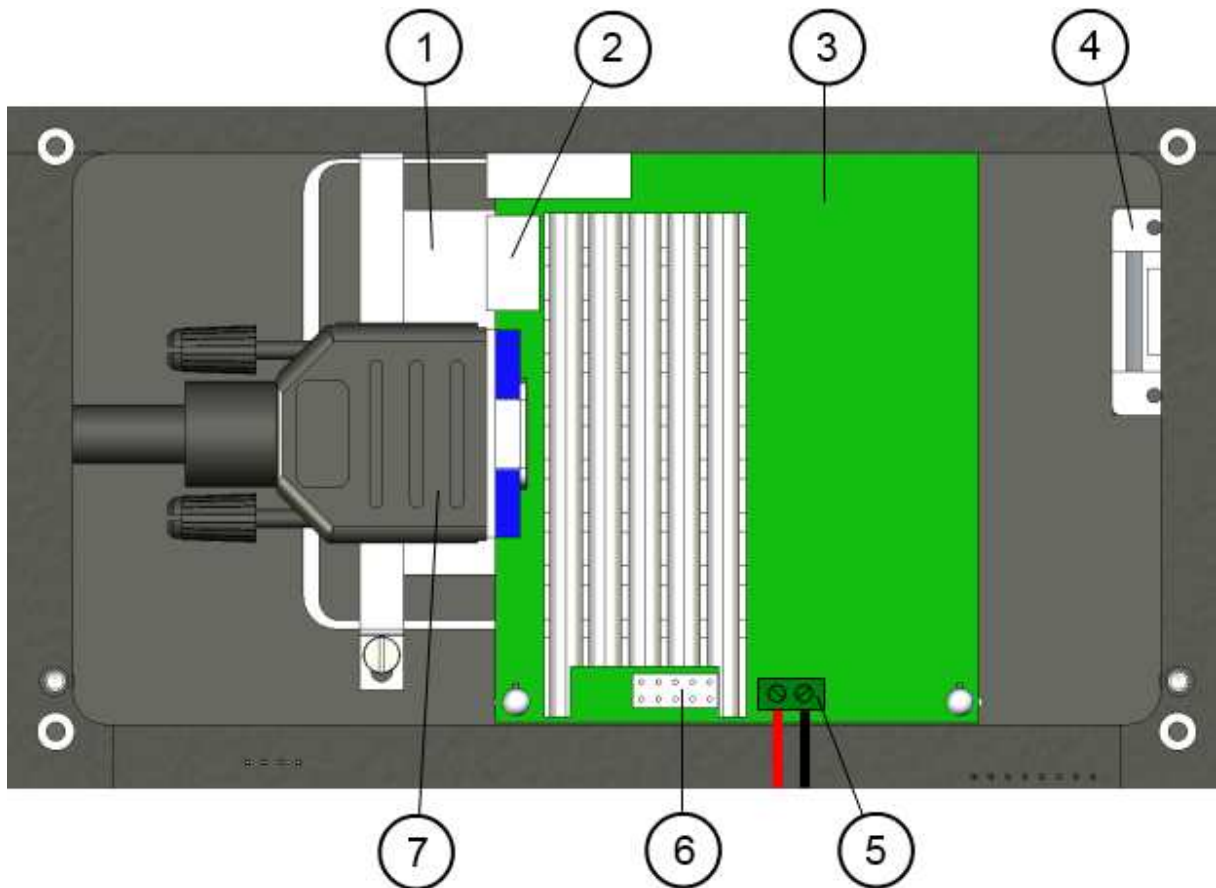


Figure 4.9: Pico-ITX location

- 1 SSD Harddrive
- 2 Ethernet connector
- 3 Pico-ITX motherboard
- 4 Serial connector to communicate with the Robot
- 5 Pico-ITX power supply (+5V/3A)
- 6 Power & reset button connection
- 7 VGA connector

The main connectors are directly accessible on the TOP of the Koala as shown below:

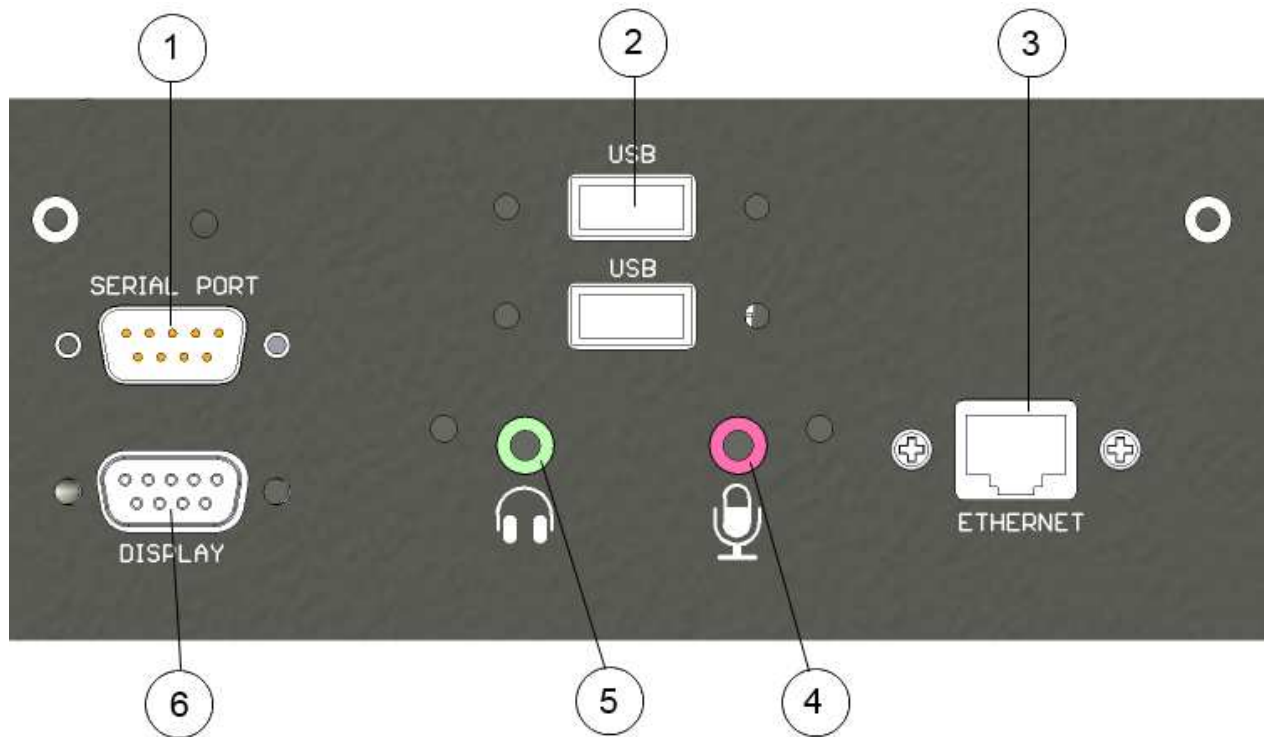
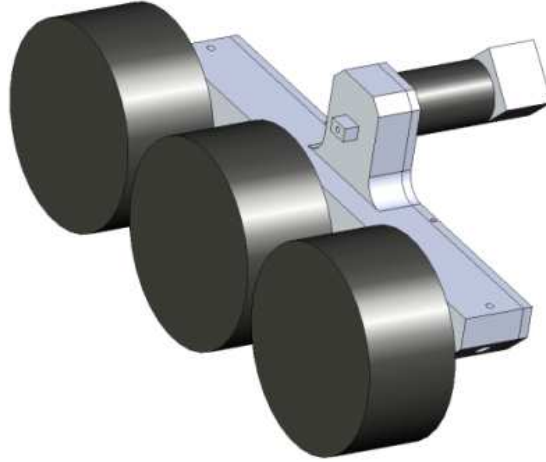


Figure 4.10: Pico-ITX front panel

- 1 Serial port (RS232 Male) connector. Can be accessible through `/dev/ttyS0`
- 2 2x USB 2.0 connector
- 3 Gigabit Ethernet connector
- 4 MIC In
- 5 Headset Out
- 6 VGA display connector

## 4.10 Motors

The Koala 2.5 has got 2 DC motors in order to drive its six wheels. The motors have 6W nominal power. The gearbox has a reduction ratio of 58.5:1.



*Figure 4.11 : Motor block with wheels*

The encoder has a 100-pulse by turn resolution. With the reduction ratio of 58.5:1 and an internal hardware 4x multiplier, we have 23'400 pulses by wheel turn. As the diameter of the wheel with the tire is 82.5mm (no load), this gives 90.3 pulses by millimeter. Or 1 pulse is 0.01107mm (11.076µm).

*Reminder: 1 revolution = 259.18mm = 23'400 pulses.  
1m = 90'284 pulses*

Be careful, when placing a payload on the Koala the tires will crush and the diameter will be slightly modified. For example, with a payload of 3kg, the effective diameter falls to 80.5mm, changing the speed and position calculation.

The best solution when placing a payload on the koala is to perform a travel of 1m (command "F,90284,90284") and measure the real distance crossed by the Robot.

Both motors are controlled via Pulse Width Modulation (PWM) at 20kHz. This technique switches the motor on and off at a given frequency and during a given time. By this way, the motor reacts to the average of the power supply, which can be modified by changing the period the motor is switched on. This means that only the ratio between on and off periods is modified, as illustrated in the figure below:

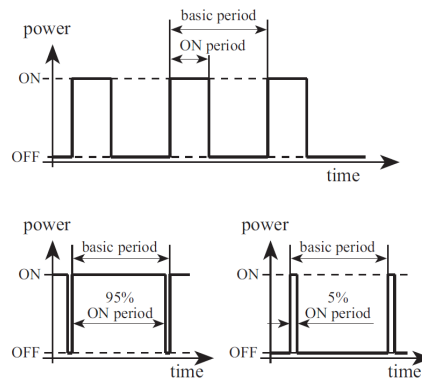


Figure 4.12: Duty cycle with PWM

The dsPIC calculates the PWM to apply to each motor in speed control and position control. The user can override the PID and apply directly a desired PWM to the motor using the open loop command (see "L" command details).

Default PID settings applied to the koala controller are:

$K_p$ : 10  
 $K_i$ : 3  
 $K_d$ : 1

These values will be used by the PID speed controller. In position control, the PID is the same as the position controller calculates a speed order then calls the speed controller to reach this order. User can modify these values to improve behaviour to his particular use.

In addition to the speed controller, a current limitation controller verifies that the current of each motor does not exceed the configured value (default = 1.0A). In this case, the controller will not try to reach the desired speed, but will manage the PWM to keep the motor current below the limit current. The state of the controller can be checked at any time by the application with the command "Y".

This current limitation is not active when used with the open loop control mode.

When selecting a type of control, this mode will be applied to both motors. It's not possible to set the left motor in speed control and the right motor in another mode.

To put the motor in idle mode (no more current drawn by the motors), use the open loop command with parameters set to 0. In speed control, even with a parameter of 0, the controller will struggle against any movement.

### 4.9.1 Speed control ("D" command)

Both DC motors are controlled by a PID controller executed every 10ms in an interrupt routine of the dsPIC. Every term of this controller (Proportional, Integral, Derivative) is associated to a constant, setting the weight of the corresponding term: Kp for the proportional, Ki for the integral, Kd for the derivative.

The controller has as input the speed value of the wheels, and controls the motor to keep this wheel speed. The speed modification is made as quick as possible, in an abrupt way. No limitation in acceleration is considered in this mode.



Be careful when using this mode; avoid a big difference of speed order as the current drawn by the motor could reset the Pico-ITX (battery voltage drops due to high current). For example, do not change the direction of the two motors at once.

The solution is to use the speed control with acceleration ramp or use a weaker PID (decrease the Proportional part).

The speed unit corresponds to the difference measured in position between the two controllers' routine (10ms). Here's the formula to convert the speed unit to metric unit.

Refresh time:	10ms
Wheel diameter:	82.5mm
Revolution resolution:	23'400 [pulses]

$$\text{Speed}[mm/s] = \frac{v_{pulses}}{t_{Refresh}} \cdot \frac{\phi_{Wheel} \cdot \pi}{Nb_{pulses}} = \frac{v_{pulses}}{0.01} \cdot \frac{82.5 \cdot \pi}{23400} = 1.10761 \cdot v_{pulses}$$

*Formula to calculate real speed from the measured value*

*Note: this formula must be adapted if a payload is placed on the Koala.*

The minimum speed order to ensure a correct control is 10 (=11mm/s). Under this value, the control is not very stable with default PID parameters. User can modify the PID to try to improve the behavior for this kind of very low speed.

The maximum speed order is approximately 500 (=553mm/s). It's still possible to move the robot faster if the control mode is set to open loop. In this case, the maximum speed will vary with the battery voltage and the payload.

### 4.9.2 Speed profile control ("K" command)

This type of control uses the same PID as standard speed controller but adds an acceleration ramp to travel from the actual speed to the new speed order.

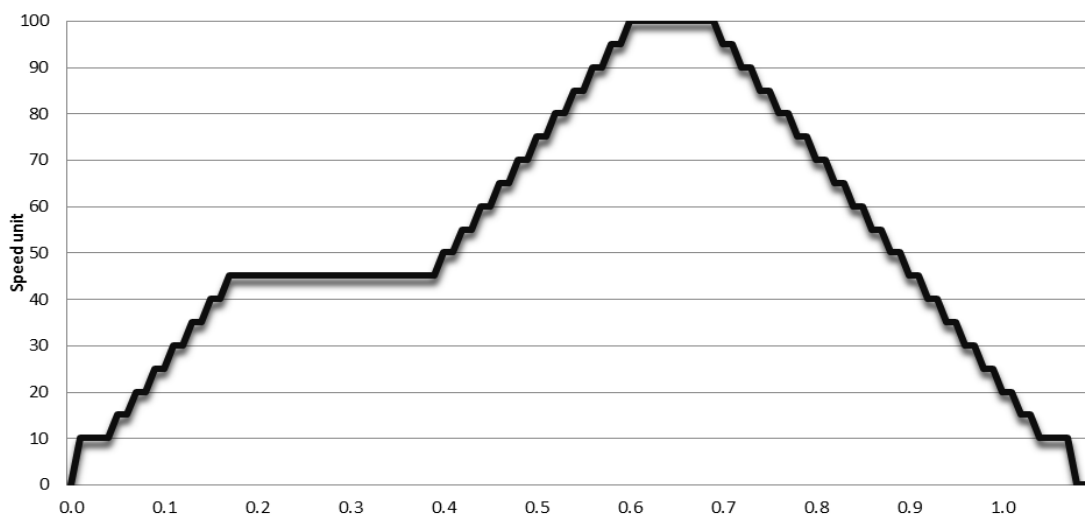
The ramp used in this mode can be configured with the speed profile command ("J" command). Three parameters define the ramp:

*Acc\_Inc:* value of increment to add or subtract every **Acc\_Div** +1 control loop (value from 1 to 255).  
Default = 5

*Acc\_Div:* defines the number of control loops where no increment is added to the speed order. For example, a value of 0 means that at every control loop, the speed will be increased by **Acc\_Inc**. A value of 4, means that every 5 control loops (50ms) the speed will be modified. (value from 0 to 255) Default = 1.

*Min\_Speed:* this parameter defines the minimum speed used by the controller. This value avoids setting a speed too low where the controller is not efficient. If the order value is smaller than this parameter, the controller will automatically limit the speed to **Min\_Speed**. Do not set a value lower than 1.  
Default = 10.

Here's an example of speed profile with default parameters (Acc\_Inc = 5, Acc\_Div = 1, Min\_Speed = 10).



A speed profile order has been set to 45. After 200ms at constant speed, a new speed order of 100 is set. The motor keeps this speed during 100ms, and finally decreases until reaching 0.

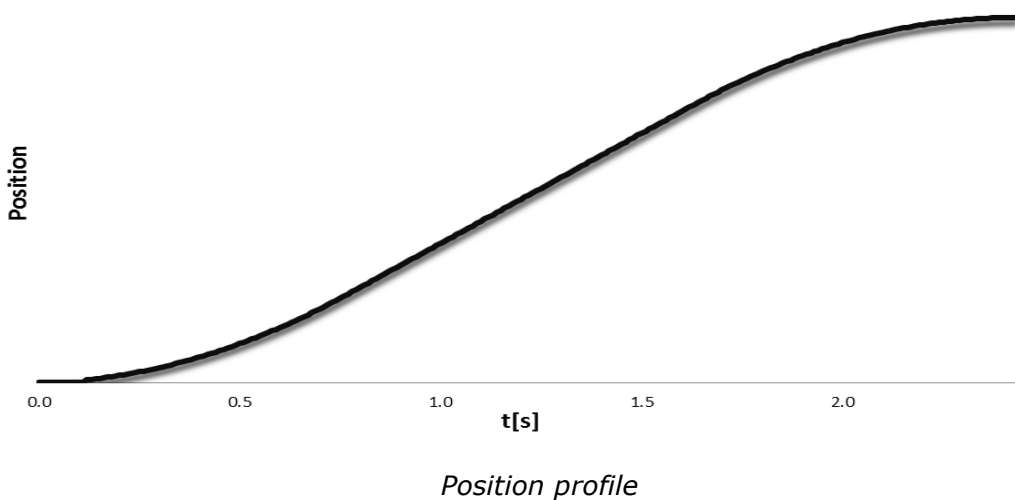
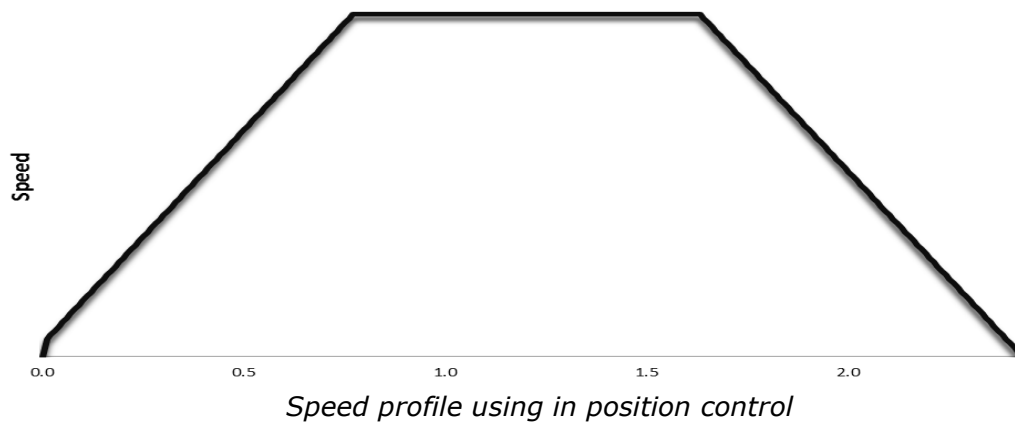
This curve corresponds to the order sent to the PID speed controller. The real speed of the motor will depend of the payload and the PID reactivity.

A higher Acc\_Div parameter will increase the time between two steps to allow the PID to reach the speed order. A value of 0 means that the effective motor speed will always be late on the order during the acceleration.

This type of control must be preferred to the simple speed profile in order to avoid high current peaks and preserve the mechanical parts. The user needs to adapt the parameters Acc\_Inc and Acc\_Div to match the desired behavior (high Acc\_Inc for a reactive profile, high Acc\_Div for a smooth profile).

### 4.9.3 Position control ("F" command)

In this mode, the Koala will calculate a speed order (which will be processed by the PID) to move the robot using an acceleration ramp, a constant speed, and finally a deceleration ramp.





This example shows a travel of 370mm (33'405 pulses) using the default parameters.

The position control mode uses the same parameter as the speed profile control to calculate the acceleration ramp. The Min\_Speed parameter is used only at the starting. When reaching the position target, the speed is not limited (to improve precision).

In addition to these three parameters, the travel speed can be configured through "Speed\_Order" parameter (see command "J", default = 200).

Finally, the "Pos\_Margin" parameter defines the threshold when the position controller stops completely the motor (set 0 to the speed controller). A low margin will increase the precision, but will add an instability to the control. It is not recommended to set this parameter below the default value (10).

To calculate the real distance travelled by the motor, use the formula below:

$$\begin{aligned} \text{Wheel diameter:} & \quad 82.5\text{mm} \\ \text{Revolution resolution:} & \quad 23'400 \text{ [pulses]} \\ \\ \text{Position[mm]} &= P_{\text{pulses}} \cdot \frac{\phi_{\text{Wheel}} \cdot \pi}{Nb_{\text{pulses}}} = P_{\text{pulses}} \cdot \frac{82.5 \cdot \pi}{23400} = \frac{P_{\text{pulses}}}{90.2843} \end{aligned}$$

The position is stored in a signed 32 bits data, which means that the maximum position order is +/- 2<sup>31</sup> pulses (=23'785m).

When performing straight travel (same distance on each wheel), the best solution is to reset the position encoder before sending the Target position command.

#### 4.9.4 Open loop ("L" command)

This control mode disables the PID controller and sets directly the PWM to the two motors. This can be useful if the application wants to calculate its own PID.

The range of this command is +/- 2'940 where 2'940 correspond to 100% of PWM in forward direction and -2'940 in backward direction.

If the application wants to disable the motor (to decrease current consumption), the best way is to use this mode and set the PWM to 0. The motor will be in free wheel mode.

## 5 PROGRAMMING

---

### 5.1 Introduction

The 64 bit Linux Ubuntu operating system (OS) is installed on the Pico-ITX.

### 5.2 Configuration

The system should connect autonomously at start-up to your wired network if an Ethernet cable is connected and you have a DHCP server without identification. You can get the IP address on a Terminal with the command:

```
ifconfig eth0
```

If this is not the case, with the icon in the figure 3.6 you can setup your network connection.

You should configure the network settings to have access to the Koala OS by WiFi or wired Ethernet.

Connect directly the robot (see chapter «Direct Connection»).

Open the "Network connection" (Figure 3.6 : Ubuntu desktop).

If you have the optional USB WiFi key (this key model WNA3100 from Netgear is recommend as the drivers are already installed), edit the connection named WiFi, meeting your network system configuration, or add a new one under Wired tab if you don't have Wifi.

With Ethernet (WiFi or wired), you will be able to access from a computer through SSH the robot:

```
ssh -X user@ROBOT_IP
```

The password is **koala**. With the `-X` parameter, you will be able to open remotely graphical programs.

To shutdown the robot from a terminal (remote by ssh or serial, or local), use the command: **`sudo shutdown -h now`**  
Wait 15s, then you can switch off the robot power switch.

## 5.3 Programming

In the directory ***/home/user/koala\_library*** of the koala, there is the library to gain access to the Koala hardware.

The library is a dynamic library and is already installed in ***/usr/local/lib***

It is accessing the Koala micro-controller through the serial port ***/dev/ttyS1*** with the commands defined in the chapter « Serial Communication Protocol ».

Here is the description of the sub-directories of the library:

- **build-x86**: contains the compiled library and its include files
- **doc**: contains the API documentation auto generated.  
Open in your favorite browser the file  
***doc/html/index.html***
- **examples**: contains examples using the library
- **src**: contains the source code of the library itself
- **template**: contains a template (very basic example code) for using the library.

You can start with the ***examples/koala\_example.c*** source code for your program. To recompile it:

```
cd /home/user/koala_library  
make examples
```


If you modify any source code in ***src*** directory or after installing a new version, you will have to recompile and install the library with the commands:

```
cd /home/user/koala_library  
make clean  
make all  
sudo make install
```

You can also use the already installed Eclipse GUI. See chapter below.

## 5.4 Programming with Eclipse GUI

Eclipse is already installed.

1. Launch it (from a Terminal, execute : `eclipse &`).
2. Go to file menu "File => NEW => Project => C/C++ => C Project".
3. Choose « empty project » and choose a Project Name (ex: test).
4. Push next button and then the "Advanced Settings" button.
5. On the "C/C++ Build", "Settings", GCC C Linker, "Libraries" add koala with the  button under "Libraries (-l)".
6. Still "Advanced Settings", go to "Run/Debug Settings", and push "New" button. Push OK. Under "Project:", enter your project name and push OK. This will create a Debug part of the project.
7. Push "OK" button, then "Finish".
8. Go to menu "File => New => File" and choose **test.c** as filename.

Insert your C code, copying:

**`/home/user/koala_library/template/prog-treplate.c`** or  
**`/home/user/koala_library/examples/koala_example.c`**

9. Then compile the project with menu "menu Project => Build-All" => The output file will be in the subdirectory Debug or Release of the project (**`/home/user/workspace/test`**).  
Go to the menu Project, Properties "Run/Debug Settings" and edit the configuration you made under 6. Click "Search Project" and select the available binary. Push OK and OK buttons.
10. You can run your program by the menu Run. In the lower part of the Eclipse window, you will see the output of your program in the Console tab.

## 5.5 Debugging

You can debug a program you made directly in console/GUI or remotely.

### 5.5.1 Direct debugging

Your program must be cross-compiled with the option **-g** . Edit your Makefile and replace the flag **-O2** by **-g** .

You can use and run for debugging it:

```
gdb YOUR_PROGRAM
```

or

```
ddd YOUR_PROGRAM
```

if you are logged with the GUI.

You can also use Eclipse for debugging. If you already compiled your project as explained in the previous chapter "Programming with Eclipse GUI", choose Debug on the menu Run.

The basic commands of **gdb** are:

<b>r</b>	:	run
<b>s</b>	:	next: one step in the program; enter in subroutines
<b>n</b>	:	one step in the program
<b>b</b> line/function	:	break at line/function
<b>delete</b> break	:	delete breakpoint number
<b>until</b> line	:	continue until line
<b>c</b>	:	continue
<b>l</b>	:	list code
<b>q</b>	:	quit gdb
<b>h</b>	:	help; you can have all the commands here

A common sequence of debugging can be:

- to list the code with **l**
- set a breakpoint at the beginning of main with **b main**
- run the program with **r**
- execute a step with **n**
- display a variable with **p VAR\_NAME**
- execute next step with **n**
- continue to the end with **c**
- Quit with **q**.

### 5.5.2 Remote debugging

If you have a wired or wireless Ethernet connection (see chapter *Configuration*), you can access the Koala robot for debugging.

```
ssh -X user@ROBOT_IP
```

Where `ROBOT_IP` is the IP address of the Koala.

You can launch ***ddd*** or even ***eclipse*** as described in the chapter before through the ***ssh*** console.

## 5.6 Microcontroller update

You can reprogram the micro-controller from the Koala Linux OS.

Into a Terminal, go to ***/home/user/koa2.5\_bootloader*** folder and run:

```
./koa2.5_bootloader -f FIRMWARE.hex
```

where ***FIRMWARE.hex*** is the micro-controller firmware file to update with.

## 5.7 Serial port

By default, the serial port on the top of the Koala gives access to the console.

If you need the serial port for connecting a device, you need to stop the console mode with the command:

```
sudo stop ttyS0
```

You can start it again after having finished using it with:

```
sudo start ttyS0
```

You can access it with Minicom:

```
minicom
```

**Remark:** the `ttyS1` is used to control directly the microcontroller. The commands are defined in chapter «SERIAL COMMUNICATION PROTOCOL».

## 5.8 Transferring files

Establish a network connection between the computer and the Koala (see chapter "Configuration").

On the PC, for transferring from the PC to the KOALA, execute the following command:

```
scp FILE user@KOALA_IP:/home/user
```

where

**FILE** : is the file to transfer,  
**KOALA\_IP**: is the Koala ip address.

For the Koala to the PC, on the PC execute:

```
scp user@KOALA_IP:/home/user/FILE
```

On Windows, you can use WinSCP (<http://www.winscp.net>).

## 6 SERIAL COMMUNICATION PROTOCOL

---

This communication protocol allows complete control of the Koala's functions through the Pico-ITX serial line.

The protocol is made of commands and answers, all in standard ASCII codes. A command is sent from the Pico-ITX to the Koala: it is starting with an upper case alpha character and is followed, if necessary, with numerical parameters separated with comma and terminated by a line feed. The answer is sent by the robot to the Pico-ITX: it is starting with the same character that was initiating with the command but using lower case, and followed, if necessary, with numerical parameters.

The Koala could also send automatically some information (if enabled) to provide an instantaneous update when new data (sensor, motor, GPS, etc..) are available. This will avoid the Pico-ITX to read many times the same data. To enable this mode, see "A" command in the list below.

### **Notation:**

- ↵       stands for carriage return key (*Enter or Return key pressed*)
- \r       stands for ASCII character 0x0A (*line feed*)
- \n       stands for ASCII character 0x0D (*carriage return*)

### **Specification:**

- 115200bps
- 8 data bits
- 1 stop bit
- No parity



## A Configure the auto monitoring mode

---

*Command:* **A, Auto\_Mask** ↵

*Answer:* **a** \r

*Function:* Configures the auto monitoring mode. Enables a peripheral to return automatically its value when refreshed. The values are returned with the same format as the protocol below. The Auto\_Mask value must be sent in decimal value, but will be processed as a binary value. If set as 0, the auto mode will be disabled (default):

- Bit 0: US sensor
- Bit 1: Motor Speed
- Bit 2: Motor Position
- Bit 3: Motor Current
- Bit 4: Accelerometer value
- Bit 5: Gyroscope value
- Bit 6: GPS data
- Bit 7: GPS NEMA Data (will return all GPS raw data)
- Bit 8: Magnetometer value

*Example:* A,6↵

a\r

## B Read Firmware Version

---

*Command:* **B** ↵

*Answer:* **b,Version-Revision** \r

*Function:* Reads the version and revision of the Koala firmware

*Example:* B↵

b,A-02\r

## C Configuration

---

*Command:* **C, US\_Mask, IO\_Dir** ↵

*Answer:* **c** \r

*Function:* Configures Koala parameters:

- *US\_Mask:* US sensor active. Bit 0 = LEFT\_Rear, Bit 1 = LEFT\_FRONT, etc...  
Default: 511= all US active.
- *IO\_Dir:* Direction of the four IO (0..3). Each IO is configure with two bits (IO0 = bit0 & 1, IO1 = bit2&3,...). 00 = output, 01 = input, 10 = PWM servo (50Hz).

Default: 0 = all output

*Example:* C,28,204↵

c\r

## **D Set Motor speed**

---

**Command:** **D,MotL\_Speed, MotR\_Speed**↵

**Answer:** **d \r**

**Function:** Sets the motor speed. The PID controller will manage the speed in closed loop. The unit is the pulses / 10ms, which means an order of 100 will drive the motor to a speed of 110mm/s.

**!!! Be careful when using this command, as a too high order could cause a very high motor current which can affect the on-board computer (can create a reset).**

**Adapt the PID if needed or use the K command!!!**

**Example:** D,100,100↵  
d\r

## **E Read Motor speed**

---

**Command:** **E** ↵

**Answer:** **e, MotL\_Speed, MotR\_Speed \r**

**Function:** Reads actual motor speed. The unit is the same as defined in D command.

**Example:** E↵  
e,100,100\r

## **F Set Target position**

---

**Command:** **F,MotL\_Pos, MotD\_Pos**↵

**Answer:** **f \r**

**Function:** Sets a target position to be reached. The move will be performed with three phases: an acceleration to reach the maximum speed, a constant speed and a deceleration phase before the target position. The unit is the pulse, which means a position of 1000 will correspond to 11mm.

**Example:** F,50000,50000↵  
f\r

## **G Read the Ultrasonic sensor**

---

*Command:* **G**↵

*Answer:* **g, Left, Left\_Front, Front\_Left, Front, Front\_Right, Right\_Front, Right, Rear\_Right, Rear\_Left** ↵r

*Function:* Reads the Ultrasonic sensor value. The returned value corresponds to the distance of the first obstacle seen by the sensor (unit: cm). Each sensor can be disabled if not necessary. Here are the possible values:

- 0: Obstacle <25cm
- 25-250: Obstacle distance
- 1000: No obstacle detected
- 2000: Sensor disabled

*Example:* G↵  
g,50,60,180,250,200,1000,2000,0,0↵r

## **H Configure PID controller**

---

*Command:* **H,Kp,Ki,Kd**↵

*Answer:* **h** ↵r

*Function:* Configures the PID controller value used for the speed control.

*Example:* H,10,5,1↵  
h↵r

## **I Set the position encoder value**

---

*Command:* **I,MotL\_Pos, MotR\_Pos**↵

*Answer:* **i** ↵r

*Function:* Resets the position encoder value of the motor.  
If set during a position control move, the motors will be stopped to avoid an incorrect behaviour.

*Example:* I,0,10000↵  
i↵r

## **J** Configure the speed profile parameters

---

*Command:* **J,Acc\_Inc, Acc\_Div, Min\_Speed, Speed\_Order, Pos\_Margin,Max\_Current**↵

*Answer:* **j \r**

*Function:* Configure the parameters used for the position control:

Acc\_Inc: Increment of the speed added every "Acc\_Div+1" control loop.

Acc\_Div: Number of control loop before adding the Acc\_Inc to the speed order

Min\_Speed: Minimum speed order used during the position control

Speed\_Order: Travel speed used during the position control

Pos\_Margin: Margin of the position control to detect when the robot reach its target.

Max\_Current: Maximum current for each motor. If above this value, the controller will limit the motor command. (unit is 0.1[A], 0 = disable , max 30 (=3A), default = 10 (=1A)).

*Example:* J,10,0,5,150,10,0↵  
j\r

## **K** Set Motor Speed with acceleration ramp

---

*Command:* **K, MotL\_Speed, MotR\_Speed**↵

*Answer:* **k \r**

*Function:* Sets a speed order to reach with acceleration ramp. The parameters used during this mode are the same as for the position control.

*Example:* K,-100,-100↵  
k\r

## **L** Set open loop

---

*Command:* **L, MotL\_PWM, MotR\_PWM** ↵

*Answer:* **l \r**

*Function:* Sets a PWM value for each motor. Value can be from -2940 (100% in backward direction) to +2940 (100% forward)

*Example:* L,500,-1000↵  
l\r

## **M Get Accelerometer value**

---

*Command:* **M** ↵

*Answer:* **m, x1, y1, z1, x2, ..., x10, y10, z10 \r**

*Function:* Reads the last 10 values of the XYZ acceleration  
X1 is the latest value and x10 the oldest.

*Example:* M↵

m, 0,0,1000,0,0,1003, 10,0,990, 5,0,995, 6,3,980, 0,0,1000,  
0,0,1010, 21,12,965, 0,20,988, 0,23,980\r

## **N Get Gyroscope value**

---

*Command:* **N** ↵

*Answer:* **n, x1, y1, z1, x2, ..., x10, y10, z10 \r**

*Function:* Reads the last 10 values of the XYZ gyroscope value  
X1 is the latest value and x10 the oldest.

*Example:* N↵

n,0,0,550,0,0,553, 0,0,552, 0,0,551, 0,0,554, 0,0,556,  
0,0,557, 0,0,558, 0,0,540, 0,0,551\r

## **O Read the Motor current**

---

*Command:* **O** ↵

*Answer:* **o, MotL\_Current, MotR\_Current \r**

*Function:* Reads the actual Motor current (unit is 0.1[A])

*Example:* O↵

o, 150,-100 \r

## **P Get Encoder value**

---

*Command:* **P** ↵

*Answer:* **p, MotL\_Pos, MotR\_Pos \r**

*Function:* Reads the actual value of the position encoder.

*Example:* P↵

p,5520, -4500 \r

## Q Get GPS Data

---

**Command:** Q ↵  
**Answer:** q,Valid\_Sat,Nb\_Sat,Latitude, Lat\_orientation,  
Longitude, Long\_orientation, UTC\_Time, UTC\_Date,  
Speed, Altitude \r  
**Function:** Reads the last GPS data received by the koala

- *Valid\_Sat:* Valid data flag (V = Warning, A = Valid)
- *Nb\_Sat:* Number of satellites used
- *Latitude:* Latitude of the actual position
- *Lat\_Cardinal:* Cardinal point for the latitude
- *Longitude:* Longitude of the actual pos.
- *Long\_Cardinal:* Cardinal point for the longitude
- *UTC\_Time:* UTC time of the latest fix
- *UTC\_Date:* UTC date of the latest fix
- *Speed:* Speed over ground value (in knots)
- *Altitude:* Actual Altitude (in meters)

**Example:** Q↵  
q, 5,4124.8963,N,08151.6838,W,  
17:08:34,25.11.13,5.5,650\r

## R Read I2C external bus

---

**Command:** R, I2C\_addr, Reg, Nb\_Read ↵  
**Answer:** r, Val1, Val2, ..., Valn \r  
**Function:** Reads n bytes on the I2C external bus (terminal blocks or docking station)

**Example:** R,118,0,10↵  
r,10,56,250,255,128,127,1,5,78,98 \r

## S Set the output value (PWR and IO)

---

**Command:** S, PWR\_Value, IO0, IO1, IO2, IO3 ↵  
**Answer:** s, \r  
**Function:** Sets the state of the four PWR outputs (bit 0 = PWR0, bit 1 = PWR1, ...), and four IO (if set as output, 0 = GND, 1 = +3.3V, if set as PWM servo, defines the position of the servo (0 = 1ms, 255 = 2ms duty cycle)).

**Example:** S,6,0,125,1,1↵  
s\r

## T Read IO state

---

**Command:** T ↵  
**Answer:** t, IO\_State, IN\_State\r  
**Function:** Reads the four IO and the two Input states. If the IO are defined as output, will be the same value as set with S command, if defined as PWM servo output, will return the value of the PWM when the command is received.

**Example:** T↵  
t,8,3 \r

## **U Read AD input**

---

*Command:* **U** ↵  
*Answer:* **u, AD0\_Val, AD1\_Val** \r  
*Function:* Reads the two AD value (0-1023).  
*Example:* U↵  
u,580,465 \r

## **V Read the battery value**

---

*Command:* **V** ↵  
*Answer:* **v, Bat\_Type, Bat\_Voltage, Bat\_Current, Chrg\_Current** \r  
*Function:* Reads the different values of the battery.

- Bat\_Type: 0 = Li-ION, 1 = NIMH, 2 = Not Initialized
- Bat\_Voltage: Voltage of the battery (unit is 0.1V)
- Bat\_Current: Current of the battery (unit is 0.1A)
- Chrg\_Current: Charge Current (unit is 10mA)

*Example:* V↵  
v,0,115,450,56,0\r

## **W Write on the I2C external bus**

---

*Command:* **W, I2C\_addr, Reg, Data\_1, Data\_2, ..., Data\_n** ↵  
*Answer:* **w** \r  
*Function:* Writes n Bytes on the external I2C bus. All data must be sent as decimal.  
*Example:* W,89,10,1,3,187,243↵  
w \r

## **X Send GPS command**

---

*Command:* **X,GPS\_Command** ↵  
*Answer:* **x**  
*Function:* Prints a complete message directly on the GPS serial port. Used to configure special GPS function. All data after the "X," will be sent to the GPS. See *NMEA\_manual\_for\_Fastrax\_IT500\_Series\_GPS\_receivers.pdf* document for available command.  
*Example:* X, \$PMTK314,1,1,1,1,1,5,1,1,1,1,1,0,1,1,1,1,1\*2C ↵  
x\r

## **Y      Get Motor control status**

---

*Command:*    **Y** ↵

*Answer:*      **y,MotL\_CTRL,MotR\_CTRL,MotL\_OnTrg, MotR\_OnTrg**

*Function:*    Reads the actual status of the motor control

- *Motx\_CTRL:*    Type of actual control:
  - 0: Idle
  - 1: Speed
  - 2: Speed with Acceleration
  - 3: Position
  - 4: Open Loop
  - 5: Current limitation
  - 6: Error
- *Motx\_OnTrg:*    Define if the target is reached (position control)

*Example:*     Y↵

y,1,3,1,0 \r

## **Z      Reset microcontroller**

---

*Command:*    **Z** ↵

*Answer:*      **z**

*Function:*    Resets the microcontroller (used to started bootloader)

*Example:*     Z↵

z\r

## **?      Scan I2C external bus**

---

*Command:*    **?** ↵

*Answer:*      **!,Nb\_Device, Addr1, Addr2, ..., AddrN**

*Function:*    Scans the external I2c bus.

*Example:*     ?↵

!,4,10,25,85,121 \r

## **&      Get Magnetometer value**

---

*Command:*    **&** ↵

*Answer:*      **@,X,Y,Z**

*Function:*    Read the XYZ Magnetometer value.

*Example:*     &↵

@,-721,1074,-2393\r



## 7 Mechanical drawings

Unit is [mm]

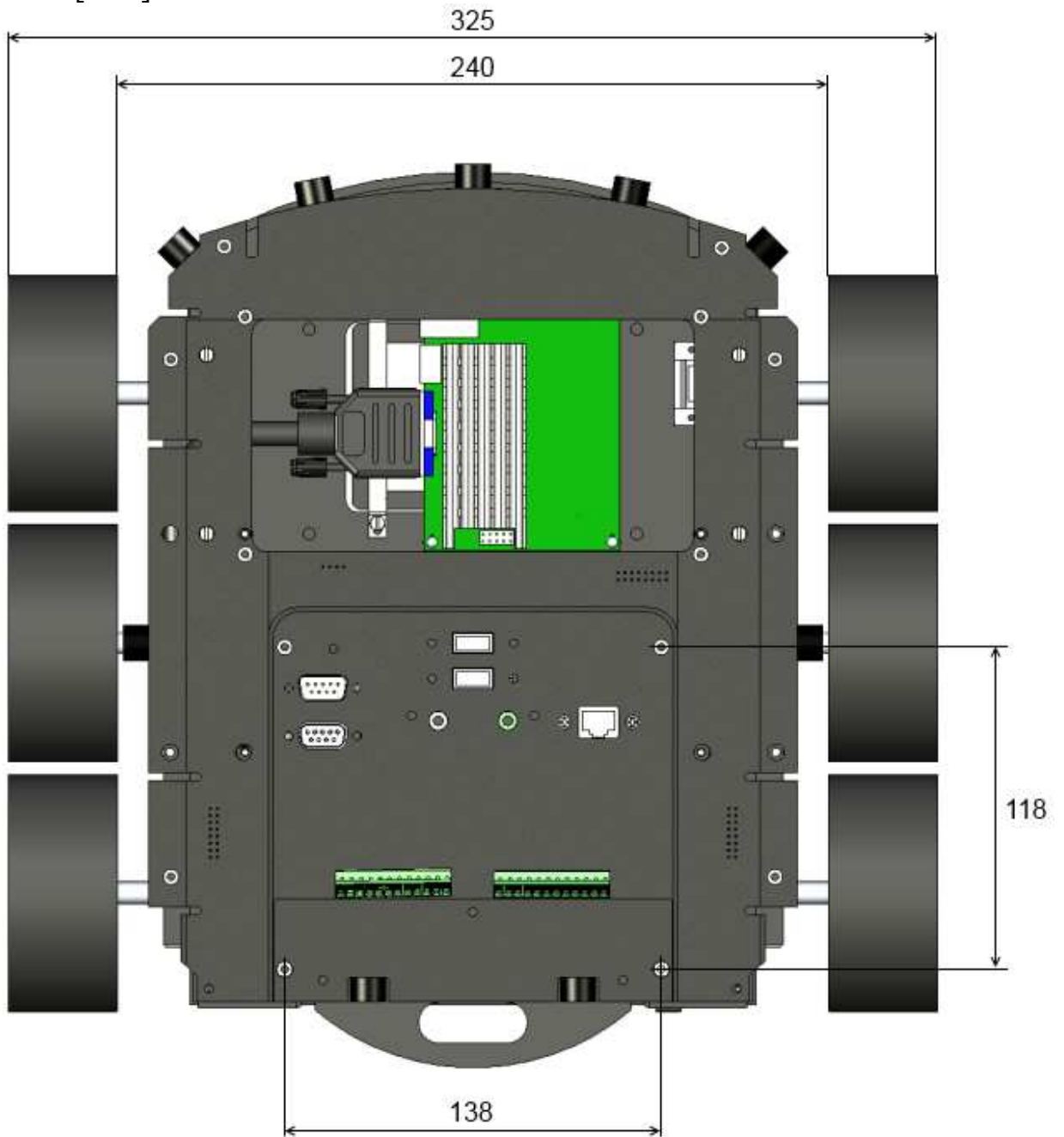


Figure 6.1 : Top view

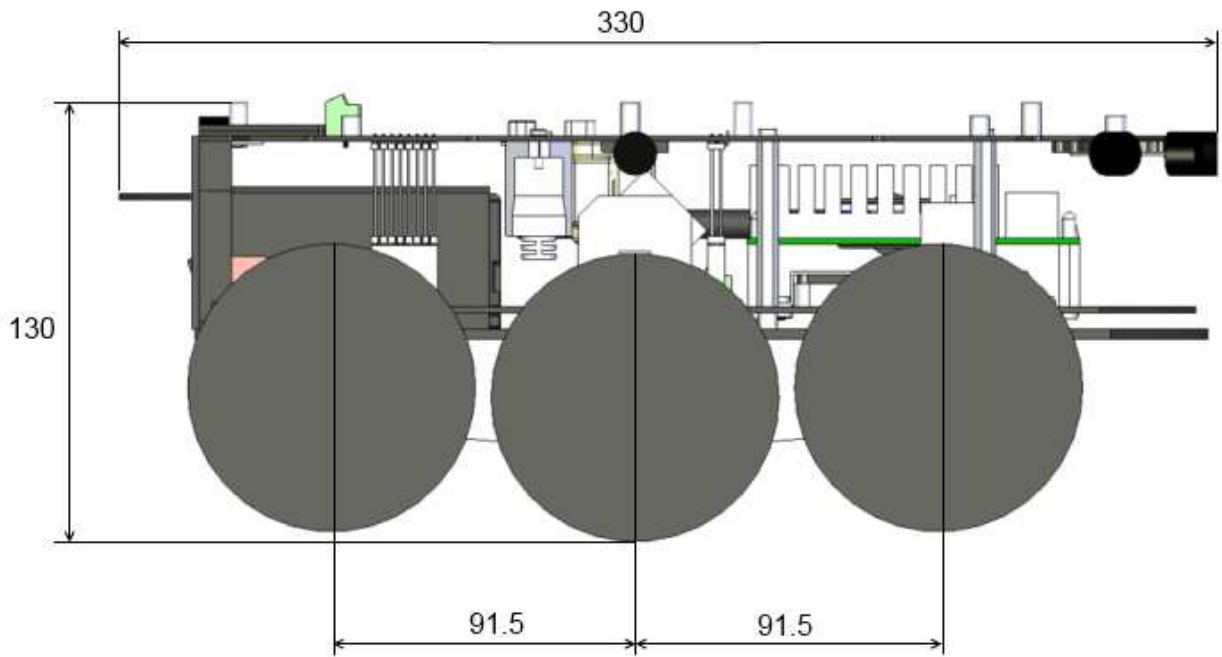


Figure 6.2 : Right view

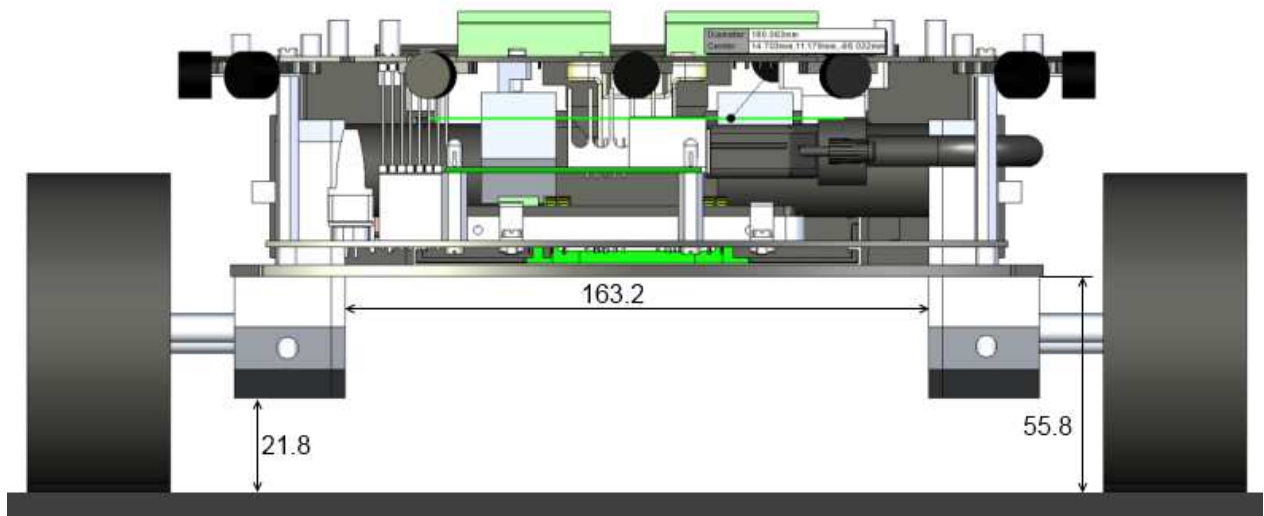


Figure 6.3 : Front view

## 8 WARRANTY

---

K-TEAM warrants that the Product is free from defects in materials and workmanship and in conformity with the respective specifications of the product for the minimum legal duration, respectively two years from the date of delivery.

Upon discovery of a defect in materials, workmanship or failure to meet the specifications in the Product during the aforementioned period, Customer must request help on K-TEAM Internet forum on [www.k-team.com/forum/](http://www.k-team.com/forum/) by detailing:

- The type of Product used (package, version).
- The expansion modules.
- The programming environment of the Product (standard, version, OS).
- The standard use of Product before the appearance of the problem.
- The description of the problem.

If no answers have been received within two working days, Customer can contact K-TEAM support by phone or by electronic mail with the full reference of its order and Product serial number.

K-TEAM shall then, at K-TEAM's sole discretion, either repair such Product or replace it with the equivalent product without charging any technical labor fee and repair parts cost to Customer, on the condition that Customer brings such Product to K-TEAM within the period mentioned before. In case of repair or replacement, K-TEAM may own all the parts removed from the defective Product. K-TEAM may use new and/or reconditioned parts made by various manufacturers in performing warranty repairs and replacement of the Product. Even if K-TEAM repairs or replaces the Product, its original warranty term is not extended.

This limited warranty is invalid if the factory-applied serial number has been altered or removed from the Product.

This limited warranty covers only the hardware and software components contained in the Product. It does not cover technical assistance for hardware or software usage and it does not cover any software products contained in the Product. K-TEAM excludes all warranties expressed or implied in respect of any additional software provided with Product and any such software is provided "AS IS" unless expressly provided for in any enclosed software limited warranty. Please refer to the End User License Agreements included with the Product for your rights with regard to the licensor or supplier of the software parts of the Product and the parties' respective obligations with respect to the software.

This limited warranty is non-transferable.

It is likely that the contents of Customer's flash memory will be lost or reformatted in the course of the service and K-TEAM will not be responsible

for any damage to or loss of any programs, data or other information stored on any media or any part of the Product serviced hereunder or damage or loss arising from the Product not being available for use before, during or after the period of service provided or any indirect or consequential damages resulting therefore.

IF DURING THE REPAIR OF THE PRODUCT THE CONTENTS OF THE FLASH MEMORY ARE ALTERED, DELETED, OR IN ANY WAY MODIFIED, K-TEAM IS NOT RESPONSIBLE WHATEVER. CUSTOMER'S PRODUCT WILL BE RETURNED TO CUSTOMER CONFIGURED AS ORIGINALLY PURCHASED (SUBJECT TO AVAILABILITY OF SOFTWARE).

Be sure to remove all third parties' hardware, software, features, parts, options, alterations, and attachments not warranted by K-TEAM prior to Product service. K-TEAM is not responsible for any loss or damage to these items.

This warranty is limited as set out herein and does not cover, any consumable items (such as batteries) supplied with the Product; any accessory products which is not contained in the Product; cosmetic damages; damage or loss to any software programs, data, or removable storage media; or damage due to (1) acts of God, accident, misuse, abuse, negligence, commercial use or modifications of the Product; (2) improper operation or maintenance of the Product; (3) connection to improper voltage supply; or (4) attempted repair by any party other than a K-TEAM authorized robot service facility.

This limited warranty does not apply when the malfunction results from the use of the Product in conjunction with any accessories, products or ancillary or peripheral equipment, or where it is determined by K-Team that there is no fault with the Product itself.

K-TEAM EXPRESSLY DISCLAIMS ALL OTHER WARRANTIES THAN STATED HEREINBEFORE, EXPRESSED OR IMPLIED, INCLUDING WITHOUT LIMITATION IMPLIED WARRANTIES OF MERCHANTABILITY AND FITNESS FOR A PARTICULAR PURPOSE TO THE FULLEST EXTENT PERMITTED BY LAW.

Limitation of Liability: IN NO EVENT SHALL EITHER PARTY BE LIABLE TO THE OTHER FOR ANY INDIRECT, SPECIAL, INCIDENTAL OR CONSEQUENTIAL DAMAGES RESULTING FROM PERFORMANCE OR FAILURE TO PERFORM UNDER THE CONTRACT, OR FROM THE FURNISHING, PERFORMANCE OR USE OF ANY GOODS OR SERVICE SOLD OR PROVIDED PURSUANT HERETO, WHETHER DUE TO A BREACH OF CONTRACT, BREACH OF WARRANTY, NEGLIGENCE, OR OTHERWISE. SAVE THAT NOTHING HEREIN SHALL LIMIT EITHER PARTY'S LIABILITY FOR DEATH OR PERSONAL INJURY ARISING FROM ITS NEGLIGENCE, NEITHER PARTY SHALL HAVE ANY LIABILITY TO THE OTHER FOR INDIRECT OR PUNITIVE DAMAGES OR FOR ANY CLAIM BY ANY THIRD PARTY EXCEPT AS EXPRESSLY PROVIDED HEREIN.



K-Team S.A.  
Z.I. Les Plans-Praz 28  
1337 Vallorbe  
Switzerland

---