
KHEPERAIV

User manual



Revision 1.1

Revisions history

Rev.	Date (EUR)	Description
1.0	14.03.2014	Initial creation
1.1	30.01.2015	Minor corrections

Documentation Authors

Julien Tharin, Frédéric Lambercy and Timothée Carron
K-Team S.A.
Z.I. Les Plans-Praz 28
CH-1337 Vallorbe
Switzerland

E-mail info@k-team.com
URL www.k-team.com

Trademark Acknowledgements

IBM PC : International Business Machines Corp.
Macintosh : Apple Corp.
SUN Sparc-Station : SUN Microsystems Corp.
LabVIEW : National Instruments Corp.
Matlab : MathWorks Corp.
Khepera : K-Team and LAMI

Legal Notice

- The content of this manual is subject to change without notice
- All efforts have been made to ensure the accuracy of the content of this manual. However, should any error be detected, please inform K-Team.
- The above notwithstanding, K-Team can assume no responsibility for any error in this manual.

TABLE OF CONTENTS

1	INTRODUCTION	1
1.1	How to use this user manual	1
1.2	Safety precautions.....	2
1.3	Recycling.....	2
2	UNPACKING AND INSPECTION.....	3
2.1	Package Content.....	3
3	THE ROBOT AND ITS ACCESSORIES.....	4
3.1	Global View	4
3.2	First start-up	6
3.3	Shutdown / Reboot / Reset.....	8
3.4	The Khepera IV Robot	9
3.4.1	Caster wheels	9
3.4.2	On/Off switch.....	9
3.4.3	Status LED	9
3.4.4	Mini-USB B connector (device)	9
3.4.5	USB A connector (host)	9
3.4.6	Power supply jack.....	9
3.4.7	Charging status LED	10
3.4.8	Reset button.....	10
3.4.9	Infrared sensors.....	10
3.4.10	Ultrasonic sensors	10
3.4.11	Camera.....	10
3.4.12	Bottom infrared sensors	10
3.4.13	Contacts for docking station.....	11
3.4.14	Wheels	11
3.4.15	Sticker.....	11
3.4.16	Bottom M3 Nuts.....	11
3.4.17	KB-250 Extension connectors.....	11
3.4.18	Top M3 Nuts.....	11
3.4.19	Magnets.....	11
3.4.20	RGB LED.....	11
3.5	Other features.....	12
4	IN DEPTH LOOK	13
4.1	Infrared Sensors	13
4.1.1	Ambient light measurement	14
4.1.2	Reflected light measurements (proximity).....	15
4.2	Ultrasonic sensors	16
4.3	Battery	17
4.4	Contact pads	19
4.4.1	Reed relay location	20
4.5	Camera.....	21
4.6	Microphones.....	21
4.7	Loudspeaker.....	22
4.8	Gumstix Overo FireSTORM COM	22
4.9	Accelerometer	23
4.10	Gyroscope	24
4.11	USB Device (mini-USB B connector).....	25

4.12	MicroSD	25
4.13	RGB LED	25
4.14	Motors	26
4.14.1	Speed control	28
4.14.2	Speed profile control.....	29
4.14.3	Position control	31
4.14.4	Open loop	32
5	PROGRAMMING	33
5.1	Required hardware / software	33
5.1.1	Required hardware	33
5.1.2	Required software	33
5.2	Software	34
5.2.1	Installation of light toolchain	35
5.2.2	Programming and light toolchain usage	38
5.2.3	Debugging.....	41
5.3	Full toolchain and sources	45
5.3.1	Required software	45
5.3.2	Installation	46
5.3.3	Full toolchain usage	47
5.4	Microcontroller update	50
5.5	Packages installations	50
5.5.1	Existing packages.....	50
5.5.2	Removing packages	50
5.5.3	Creating new package:.....	51
6	COMMUNICATION PROTOCOL (WITH SERVER ONLY)	52
7	EXTENSION CONNECTORS	60
7.1	J700 Pin-out	61
7.2	J701 Pin-out	61
8	MECHANICAL DRAWINGS	62
9	ANNEXES	64
9.1	Using Bluetooth	64
9.1.1	To send a file to the robot (upload).....	66
9.1.2	To send a file to the computer (download)	66
9.2	Using WiFi	67
9.2.1	IP without any encryption for security	67
9.2.2	Fixed IP without any encryption for security	67
9.2.3	WEP encryption support	68
9.2.4	WEP, WPA and other encryptions:.....	69
9.2.5	Transferring files using scp	70
9.2.6	Remote access.....	70
9.2.7	NFS configuration.....	71
9.3	Using the camera module	72
9.3.1	Taking images	72
9.3.2	Video streaming.....	72
9.3.3	Programming Image processing.....	72
9.3.4	Changing colors levels (whitebalance)	73
9.4	Using microphones and speakers	75
9.5	Development with a virtual machine	77
9.6	Using vi text file editor	79
10	WARRANTY	80

1 INTRODUCTION

Thank you for buying a Khepera IV robot! The Khepera IV is a high end table-top robot that will initiate your experience to the extraordinary world of mobile robotics. Thanks to its wealth of sensors, motors and its software openness, you will be able to create complex behavior, making you an expert of this promising technology.

1.1 How to use this user manual

This user manual introduces the Khepera IV robot and its various operating modes.

If this user manual does not answer one of the problems you are confronted with, please consult the K-Team web site (<http://www.k-team.com>) and especially the Forum and the FAQs.

Three kinds of symbols are used in this document; in order to keep you and your robot safe, please respect them:



Ignoring the mentioned warning could lead to malfunction or reduced performance.



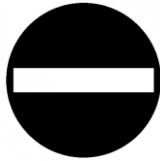
Ignoring the mentioned warning could lead to perpetual damage and would void the warranty.



Danger: risk of electric shock

1.2 Safety precautions

Here are some recommendations on how to correctly use the robot:



- **Keep the robot away from wet area.** Contact with water could cause malfunction and/or breakdown.
- **Store your robot in a stable position.** This will avoid the risk of falls, which could break it or cause damage to a person.
- **Use only the official charger or the cable which is delivered with the robot.** Do not try to use another charger; this can cause irreversible damage to the battery and or the electronics.
- **Do not attach any connector while the robot is powered.** To avoid any damage, make all connections when the robot power is off.
- **Never leave the robot powered when it is unused.** When you have finished working with Khepera, turn it off. It will save the battery life.
- **Do not manually force any mechanical movement.** Avoid to force, by any mechanical way, the movement of the wheels or any other part.
- **Never open the case.** Only qualified technicians are allowed to do so.

1.3 Recycling

Think about the end of life of your robot! Parts of the robot can be recycled and it is important to do so. It is for instance mandatory to keep batteries out of the solid waste stream. When you throw away a battery, it eventually ends up in a landfill or municipal incinerator. This battery, which contains Lithium Polymer, can contribute to the toxicity levels of landfills or incinerator ash. By recycling the batteries through recycling programs, you can help to create a cleaner and safer environment for generations to come. For those reasons, please take care to the recycling of your robot at the end of its life cycle, for instance sending back the robot to the manufacturer or to your local dealer.

Thank you for your contribution to a cleaner environment!



Made in
Switzerland



Contains FCC ID :
U9R-W2CBW003

2 UNPACKING AND INSPECTION

2.1 Package Content

The Khepera IV package is done in a stack-like architecture. When you open it, you'll first see the robot:

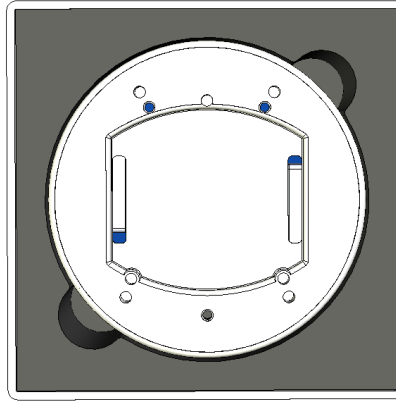


Figure 2.1: First opening

Please remove the robot from the packaging by holding it with your fingers, through the pre-cut holes in the foam. Then, remove the foam inserts. You should be able to see the CDs with accessories below:

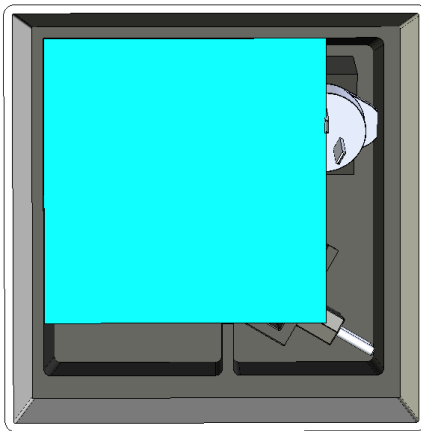


Figure 2.2 : CD

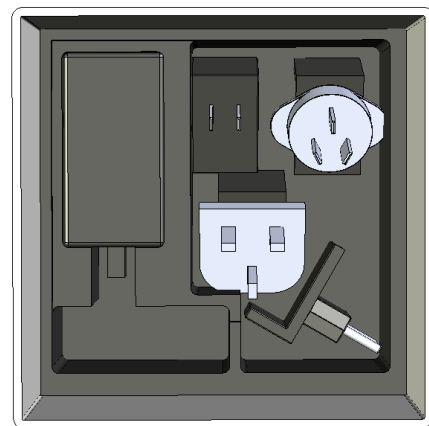


Figure 2.3 : Accessories

Your package should contain the following items:

- Khepera IV robot
- DVD with Khepera User Manual and software
- USB to mini-USB cable
- Camera Lens (may already be installed in the robot)
- AC/DC Power supply (110/220VAC 50/60Hz) with plugs.

3 THE ROBOT AND ITS ACCESSORIES

3.1 Global View

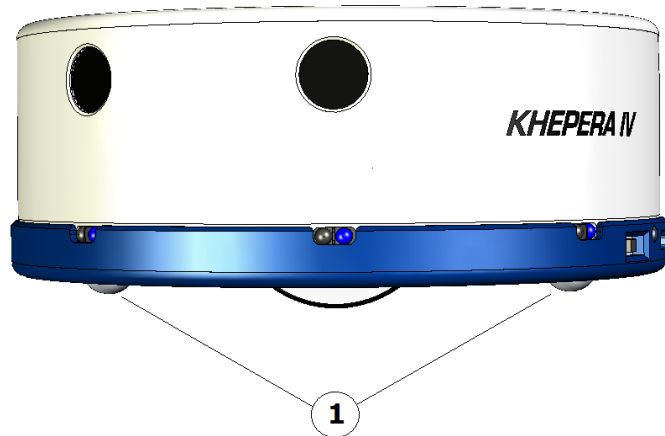


Figure 3.1 : Left view

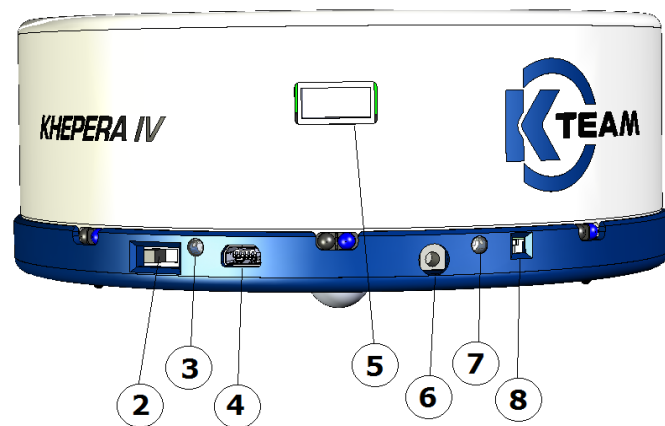


Figure 3.2 : Rear view

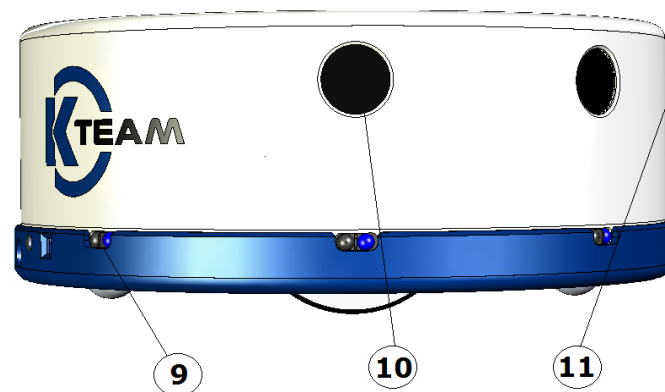


Figure 3.3 : Right view

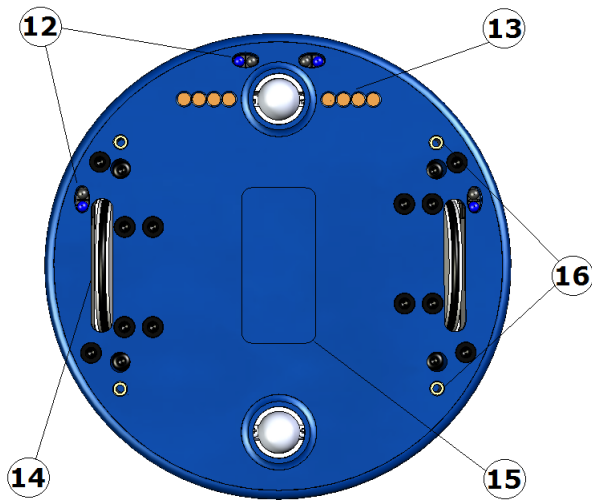


Figure 3.4 : Bottom view

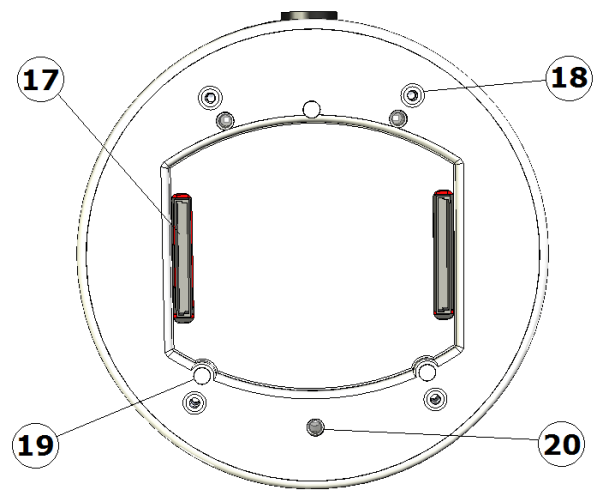


Figure 3.5 : Top view

Make an external inspection of the robot. Note the location of the following parts:

- | | |
|----|---|
| 1 | Caster wheels |
| 2 | On/Off switch |
| 3 | Status LED |
| 4 | Mini-USB B connector (device mode, no charging) |
| 5 | USB A connector (host mode, 500mA) |
| 6 | Power supply jack (9V, 1.5A, 0.65mm center positive) |
| 7 | Charging status LED |
| 8 | Reset button |
| 9 | Infrared sensors (8x) |
| 10 | Ultrasonic sensors (5x) |
| 11 | Camera |
| 12 | Bottom IR sensors (4x, for fall avoidance and line following) |
| 13 | Contacts for docking station |
| 14 | Wheels |
| 15 | Sticker |
| 16 | Bottom M3 Nuts (4x) |
| 17 | KB-250 Extension connectors |
| 18 | Top M3 Nuts (4x) |
| 19 | Magnets (3x) |
| 20 | RGB LED (3x) |

3.2 First start-up



It is required, before to use the robot for the first time, to let the battery charge completely. In order to do that, once the robot out from its packaging, please assure it is off (switch on the outside), plug the charger into the robot jack and then into mains. Please consider a time of 5 hours for the initial charge.

Carefully screw the camera lens in its place, at the front of the robot. Please do this operation as soon the robot is removed from its packaging to avoid any dust on the sensor. You may have to launch a test application to correctly adjust the focus. Be sure to remove the cover of the lens in order to use it. If the robot was delivered with the lens already installed, please be sure that it's clean. If not, please use a dry microfiber towel to clean it.

You can have console access through different ways: USB described below, Bluetooth on chapter "9.1 Using Bluetooth" and WiFi on chapter "9.2 Using WiFi".

- 1) Plug the USB cable to the computer, and the mini-USB side to the robot (connector 4 of figure 3.2).
- 2) Switch on the robot power. On Windows, you cannot open the serial port before.
- 3) Open the serial port corresponding serial port. For Windows, you can use **Teraterm** (<http://tssh2.sourceforge.jp>) with the parameters: 115200 baud, no parity and no flow control.
- 4) On Linux, the FTDI driver is installed by default; use **minicom** (to install it on Ubuntu: `sudo apt-get install minicom`). Open a terminal console and type (example below based on Linux):
`minicom -s`
- 5) Go the "Serial port setup" menu and configure as described in figure 3.4 .

```
+-----+
| A - Serial Device : /dev/ttyUSB0          |
| B - Lockfile Location : /var/lock        |
| C - Callin Program :                    |
| D - Callout Program :                   |
| E - Bps/Par/Bits : 115200 8N1           |
| F - Hardware Flow Control : No         |
| G - Software Flow Control : No         |
|                                         |
| Change which setting?                  |
+-----+
```

Figure 3.4: Minicom serial parameters

- 6) Save the settings with the command "**Save setup as dfl**" of the menu [configuration].

- 7) Wait for the login (Figure 3.9).
- 8) Enter the username **root** , for password push RETURN.



Figure 3.9: Robot prompt: login

- 9) You are in the directory **/home/root** by default after login. You can execute a program by preceding its name with **./** :

```
./khepera4_test
```

- 10) In the beginning of the output there is the version of the microcontroller software, then the menu. Push **q** and **RETURN** key to quit.

- 11) You can add a password to the login of your robot with the command:

```
passwd
```

You can upload or download a file with the robot at chapters 9.1.1 and 9.1.2.

Continue with chapter "5 PROGRAMMING" for starting programming.

3.3 Shutdown / Reboot / Reset

Shutdown:

While logged into the console of the robot, it is better to do a proper shutdown than just switching off the robot. This will ensure that the open files are correctly closed and settings saved.

1. Run the following command in the console:

```
halt
```

2. Wait 15s (if you are logged through the USB cable, you wait until **System halted** appears). Then you can switch off the robot.

Reboot:

If you want to reboot, you can use:

```
reboot
```

Reset :

The robot reset can be triggered by pressing the reset button (see Figure 3.2).

You may need to use the reset while the software is blocked and you cannot access anymore by another connection with **ssh** for killing the annoying process or doing a soft reboot.

3.4 The Khepera IV Robot

3.4.1 Caster wheels

There are two caster wheels below the robot. These two wheels enable the robot to be very stable, even with high payload or with long cantilever extension modules. In return, the robot is not able to go through door sills.

3.4.2 On/Off switch

This switch will have an action on the internal regulators of the robot and not on the battery, meaning that you can charge it even if it is off. To turn the robot on, put the switch on the inside. To turn it off, put the switch on the outside.

3.4.3 Status LED

By default, this bicolor indication LED lets you know the state of the robot. When you turn it on, the green LED will stay on and the red light will blink until the system is ready. This LED is user-controllable.

3.4.4 Mini-USB B connector (device)

This connector lets you open a communication link between the robot and a computer. It is not possible to charge the robot by this way.

3.4.5 USB A connector (host)

This is a USB host-capable connector. You can plug on it any USB device you want, as long as it doesn't draw more than 500mA of current. You can for example connect a GPS module or a memory key.



This connector has its signals shared with the KB-250 Extension connectors, meaning that you cannot use USB on Extensions at the same time as on this connector.

3.4.6 Power supply jack

This is the 0.65mm center positive jack used to charge the internal battery of the robot. Use only the provided adapter. Input voltage is 9V. Current drawn by the robot is 1A, so a 1.5+A adapter is needed.

3.4.7 Charging status LED

This is a bicolor indication LED showing you the state of the charge. There are two modes, depending if the robot is powered or not.

If the robot is off and the AC adapter is plugged, the red LED will be on as long as the battery is charging. Once the charge terminated, the LED will turn off.

If the robot is on and the AC adapter is plugged, the red LED will be on as long as the battery is charging. Once the charge terminated, the red LED will turn off and the green LED will turn on.

3.4.8 Reset button

This button serves to reset the whole robot, including the extension modules.

3.4.9 Infrared sensors

There are 8 infrared sensors all around the robot in order to detect obstacles or measure ambient light. With these sensors, the robot is able to see obstacles from 2 to approx. 250mm, depending on the calibration, the ambient conditions and the obstacle color. Each sensor is separated from its neighbor by an angle of 45°.

3.4.10 Ultrasonic sensors

There are 5 ultrasonic sensors, 2 on both sides and 1 in the front of the robot. With these sensors, the robot is able to see obstacles from approx. 250 to approx. 2500mm. Please notice that it is not possible to see nearer obstacles due to the principle of operation of this kind of sensors. There is an angle of 45° between two sensors.

3.4.11 Camera

In the front of the robot, there is a color camera with user-changeable lens. It can be used to take pictures or movies that can be processed on board.

3.4.12 Bottom infrared sensors

Four infrared sensors are disposed on the bottom of the robot. They are used to avoid the robot from falling down but can also be used to follow a line.

3.4.13 Contacts for docking station

The Khepera IV has some apparent contacts below its body meaning that you could use a docking station to charge its battery or to communicate with it. It's also possible to imagine to develop an extension which would be below the robot, for example a mechanical base with tracks. The signals that are provided are: Battery out (controlled by a reed relay), 9V in, I2C.

3.4.14 Wheels

The robot is differential driven, with 2 wheels equipped with O-ring. The wheels are driven by DC motors with encoder and gearbox.

3.4.15 Sticker

Here you'll find the serial number of your robot.

3.4.16 Bottom M3 Nuts

There is the possibility to fix an extension to the robot from below.

3.4.17 KB-250 Extension connectors

These two connectors are used to connect extension modules to the robot. The pin-out is accordingly to KB-250, with some minor improvements. You can re-use the Khepera III or KoreBot extension modules (but not the Kh3 Gripper).



These connectors have their USB host signals shared with the USB Host connectors, meaning that you cannot use USB on Extensions at the same time as on the connector. USB device is usable on both at the same time as the robot is equipped with a hub.

3.4.18 Top M3 Nuts

There is the possibility to fix an extension to the robot from above.

3.4.19 Magnets

There are three magnets used mainly to attach the gripper, but they can be used for any other module.

3.4.20 RGB LED

There are three RGB LED on the top of the robot, all are user-controllable. They are primarily intended for robot pattern recognition with a color camera mounted on the ceiling of your experiment room.

3.5 Other features

Since the Khepera III, we added a lot of functionalities in this new robot:

- No need for KoreBot : a powerful Linux embedded board is included by default (Gumstix Overo FireSTORM COM)
- No need for KoreConnect : use the USB device, WiFi or Bluetooth connection instead
- 800MHz ARM Cortex-A8 Processor with C64x Fixed Point DSP core
- 512 MB RAM, 512 MB NAND Flash and additional 4GB for data
- Embedded WiFi and Bluetooth with internal antennas
- Powerful and long lasting internal Lithium-Polymer battery (3400mAh, 7.4V, 25.16Wh)
- Two 100 to 10'000 Hz microphones
- One 400 to 20'000 Hz 0.7W Loudspeaker
- 3-axis accelerometer
- 3-axis gyroscope.

Although the internal battery is not removable, it is possible to charge it from 3 places:

- From the jack
- From the contacts situated below the robot
- From the KB-250 extensions connectors.



The max payload of the robot is 2kg.



Operating temperature range of the robot is 0 to 55°C.



*Battery charging temperature range is 0 to 30°C.
Never attempt to charge it by higher temperature.*

4 IN DEPTH LOOK

4.1 Infrared Sensors

Khepera IV has 8 infrared sensors placed all around the robot and 4 placed on the bottom. The latter allow experiments like line following or fall avoidance. They are positioned and numbered as shown in figure below:

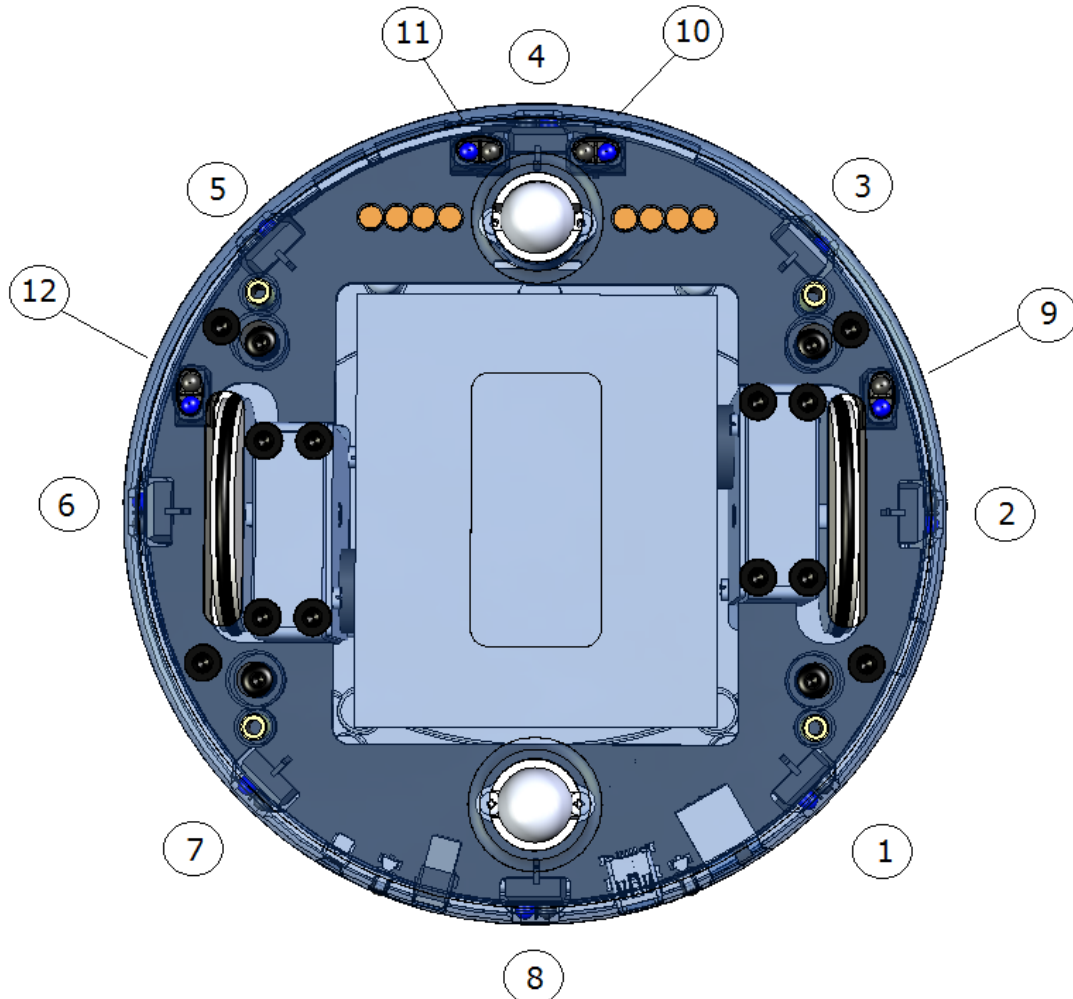


Figure 9 : Infrared sensors viewed from bottom

These sensors embed an infrared light emitter and a receiver. For detailed description, please refer to the manufacturer's datasheet. The twelve sensors are TCRT5000 reflective optical sensors from Vishay Telefunken. Measuring range is from 2 to 250mm. Each sensor is separated from its neighbor from an angle of 45°.

This kind of sensors allows two measures:

- The normal ambient light. This measure is made using only the receiver part of the device, without emitting light with the emitter. A new measurement is made every 5ms. The value returned at a given time is the result of the last measurement made.
- The light reflected by obstacles (=proximity). This measure is made by emitting light using the emitter part of the device. The returned value is the difference between the measurement made while emitting light and the light measured without light emission (ambient light). A new measurement is made every 5ms. The value returned at a given time is the result of the last measurement made.

4.1.1 Ambient light measurement

Ambient light measurement is strongly influenced by the robot's environment. Depending on the light source type, color, and distance, ambient light measurement profile might vary. It is not recommended to use light source with large emission in the infrared range, as this could confuse the IR sensors. Value range is 0 to 1023, 0 stands for no light and 1023 for full light.

4.1.2 Reflected light measurements (proximity)

Sensors are mainly meant to detect obstacles around the Khepera. Measurements for reflected light depend on objects reflectivity and on ambient light conditions. Object colors, materials and surfaces do have an influence on the sensor's response. Moreover, as any sensor, IR sensors are subject to environmental noise. For all these reasons, graphics below are given for information only and should not be considered as references. Value range is 0 to 1023, 0 stands for no obstacle, 1023 for very near obstacle. Here's an example of value with a white paper used as an obstacle:

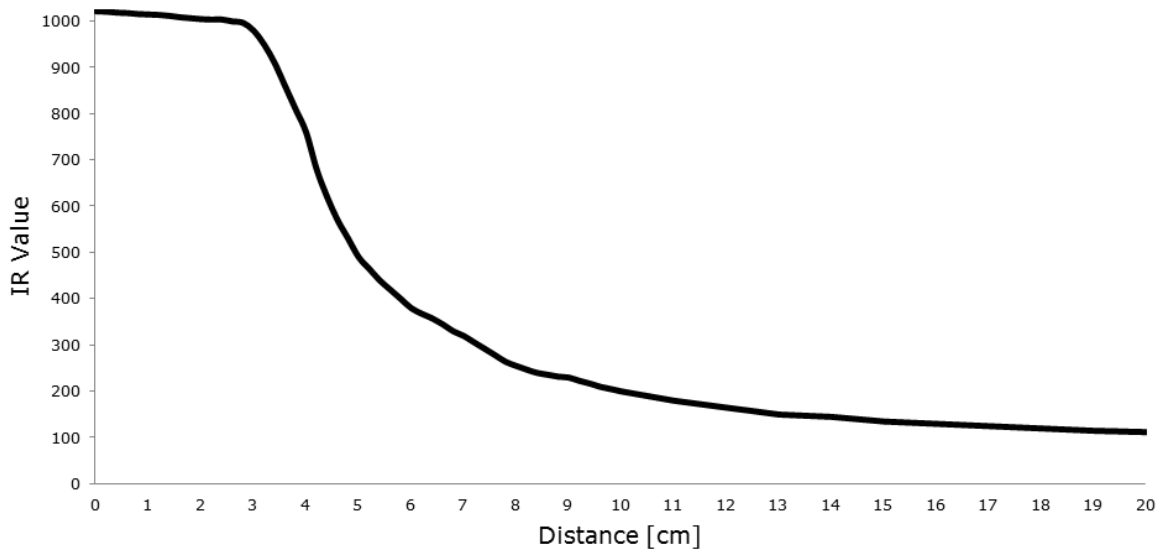


Figure 10 : IR value vs Distance

The IR value never falls to 0 as, even with no obstacle, the IR reflects on the floor and adds a static value. As all the sensors are not exactly the same, the solution is to perform a calibration of the IR with no obstacle in front. With this calibration, the user will be able to improve detection of obstacle at distance greater than 20cm.

4.2 Ultrasonic sensors

Five sensors are placed around the robot and are positioned and numbered as shown in figure below. These sensors are transceivers, meaning that they can emit and receive the pulses.

The ultrasonic sensors are powered by a 85 Vpp source. The nominal frequency of these transducers is 40kHz +/- 1kHz.

The returned value is the distance to the object in centimeters, with a tolerance of +/-2cm. Measuring range is from 25 to 200cm. Every transducer is separated from its neighbor from an angle of 45°.

Each sensor can be disabled in order to get higher refresh rate for a particular one (or group). One sensor measure takes 20ms. All 5 sensors need 100ms to be read.

For more details about the ultrasonic sensor, please have a look at the 400PT12B datasheet from Prowave.

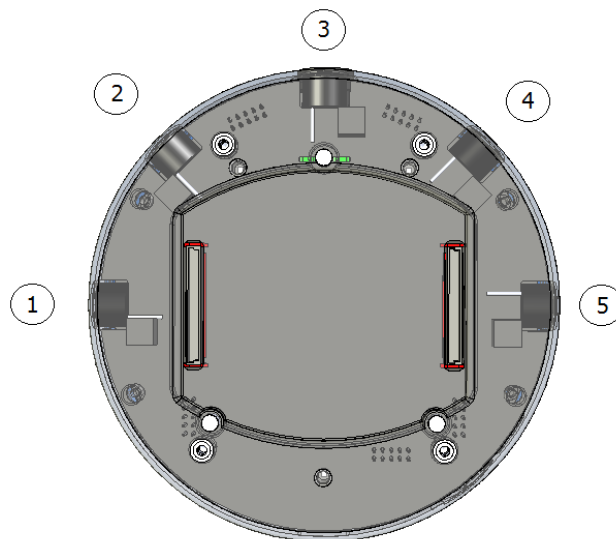


Figure 11 : Ultrasonic sensors viewed from top



Danger: High voltage! There is about 85Vpp on the PCB in the area of the ultrasonic sensors: never touch it!



Turn the ultrasonic sensors off while recording sound!

4.3 Battery

The Khepera IV is equipped with an internal non-removeable Lithium-Polymer battery. It is built in a 2S1P configuration, giving 7.4V nominal, 8.4V charging voltage and a capacity of 3400mAh.

Nominal voltage	: 7.4V
Cut-off voltage	: 6.0V
Charging voltage	: 8.4V
Nominal capacity	: 3400mAh
Max discharge current	: 3400mA (1C)
Charging current	: 1100mA
Time for a complete charge	: about 4 to 5 hours

Using its embedded power, the robot is able to run completely autonomously during more than 5 hours with motors at 100% and 7 hours with motors off, running with a basic configuration. When additional equipment is used, the autonomy is reduced as Khepera's extensions like the gripper rely on Khepera's batteries as a power source.

There is no specific power management system on the Khepera. When the battery voltage falls under 6V, the battery opens itself the circuit to avoid a deep discharge of the cells. Users can implement their own software power management system to handle extensions to shutdown properly before this case happens.

The battery can be charged from 3 places:

- From the jack
- From the contacts situated below the robot
- From the KB-250 extensions connectors.

The battery is charged through an internal battery charge IC that needs 9V of input voltage. During its constant current phase, the battery is charged with a 1.1A current.



To charge from the jack, only use the provided AC adapter.

To charge via the contact pads situated below the robot, only use the 9Vin and Ground pads. Please refer to the contact pads section for more information.

To charge via the KB-250 extensions connectors, use only pin 44 of J701 and a ground pin. Max voltage is 9.5VDC.

The charge status is indicated on the charging status LED. During the charge, the red LED turns on. The red LED will turn off when the charge is complete.

The charge will not be enabled if the external supply is plugged when the battery is above 7.95V. In this case, the red LED will never turn on, neither the green LED.

If the robot is turned on, the dsPIC will check the end-of-charge status in the Fuel Gauge. When this status is set (~5-10 second after the red LED turns off), the charge status LED will turn green.



If the battery cuts off after a complete discharge, the user needs to make a complete charge with the robot on (wait for the charge status LED becoming green) to update correctly the remaining capacity.

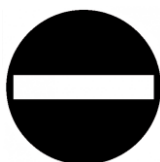
The Fuel Gauge (DS2781) returns different information available by the application:

- Battery status register (see DS2781 datasheet for details)
- Absolute remaining capacity (unit 1.6mAh)
- Relative remaining capacity (0-100%)
- Battery current (updated every 3.5s). The resolution is 78.125[uA]. A positive value means a charging current.
- Average current (updated every 28s)
- Temperature with a resolution of 0.125°C.
- Battery voltage with a resolution of 9.76mV

The battery current is measured through a 20[mΩ] resistor.

The battery temperature is accurate only when the charge is not active. During the charge, internal component heat will perturb the measure. You need to consider that the returned value is approximately 10°C higher than the real battery temperature (especially when charging current is 1A).

As the charge is not automatically protected against temperature, you have to verify it before starting a charge.



Battery charging temperature range is 0 to 30°C. Never attempt to charge it by higher temperature. Do not try to charge if room temperature is higher than 30°C.

4.4 Contact pads

Eight contact pads are situated below the robot and can be used to connect either to an extension module or to a docking station.

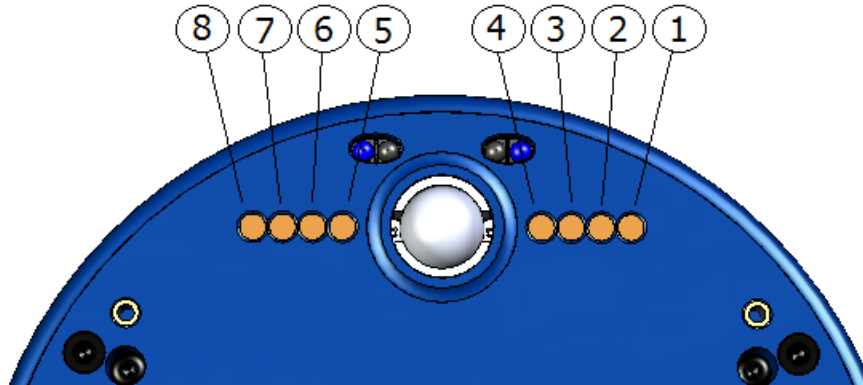


Figure 12 : Contact pads viewed from bottom

Pos.	Signal
1	9V out
2	9V in
3	I ² C Serial clock
4	Ground
5	Ground
6	I ² C Serial data
7	9V in
8	9V out

Table 1 : Pin-out of the contact pads

The internal battery can be used to power external devices. Signal is "9V out", present on pads number 1 and 8. As this is a power output, this signal is controlled by a reed relay to avoid any short-circuit. In order to be able to draw current from the battery, you first need to activate the relay with a magnet. Please refer to the drawing for the exact location of the relay. Max current is 1.5A but this value depends on operating current of the robot. Voltage is accordingly to the battery state minus voltage drop of one Schottky diode and the R_{dson} of two MOS-P transistors.

The internal battery can be charged from a docking station. Signal is "9V in", present on pads number 2 and 7.



Never apply more than 9.5VDC at these 2 contacts.

Communication with the outside is done via I²C. Clock signal is on pad 3, while data signal is on pad 6. Level is 0 to 3.3V. Use level adapter if needed.

Ground signal is present on pins 4 and 5.

The signals are routed in a symmetrical way so that if the robot is in the wrong direction on the docking, no damage occurs.

4.4.1 Reed relay location

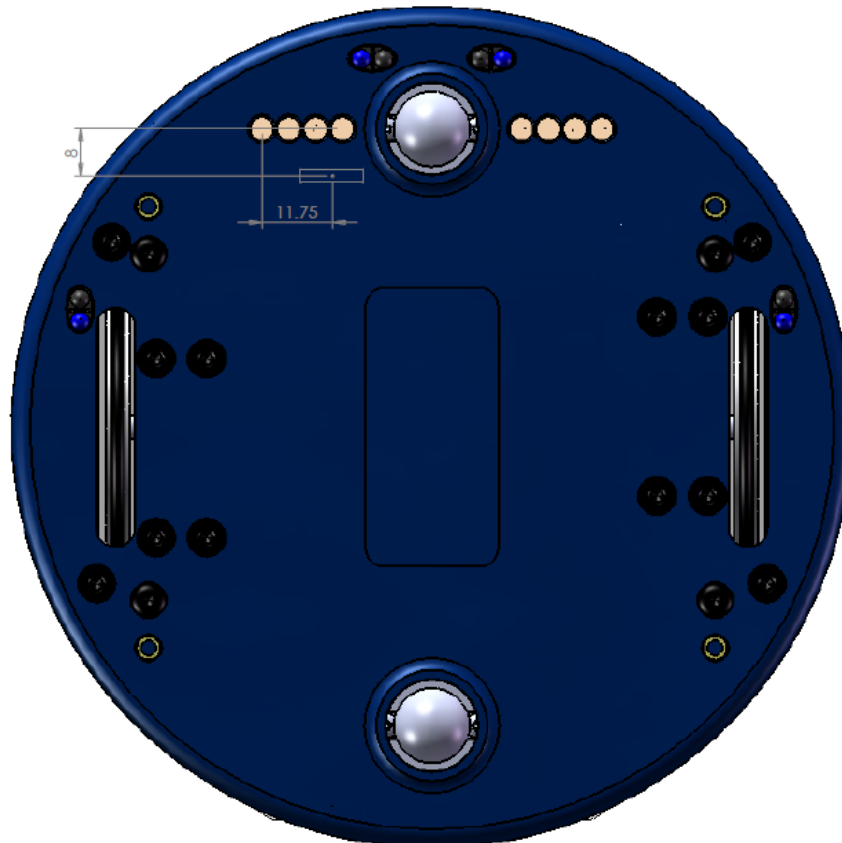


Figure 13 : Reed relay location

Here above is represented the location of the reed relay. Unit is [mm]. The coordinates are about the center of the relay. Please note that it is mandatory to add an offset of 5mm (left or right) on the position of your magnet. Some trials may have to be done on customer side.

4.5 Camera

The Khepera IV is equipped with a front color camera, disposed below the front ultrasonic sensor. The sensor is a MT9V034C12ST from Aptina. It's a 1/3" WVGA CMOS sensor.

Active imager size	: 4.51x2.88mm
Active pixels	: 752x480

The default lens has a focal length of 2.1mm, with IR cut filter and fixed focus. The mounting thread is M12x0.5. Diagonal field of view is 150°, horizontal is 131° and vertical is 101°. See chapter 9.3 "Using the camera module" for usage.

4.6 Microphones

The Khepera IV is equipped with two amplified Microphone PU0414HR5H-SB from Knowles. They are directly connected to the Overo MIC input. The right microphone is connected to the MIC MAIN input and the left on the MIC SUB input. See chapter 9.4 "Using microphones and speakers" for usage.

Gain	20dB
Sensitivity (typ)	-22dbv/Pa
Directivity	Omnidirectional
Supply voltage	2.5V

Their positions on the Khepera are shown on the pictures below:

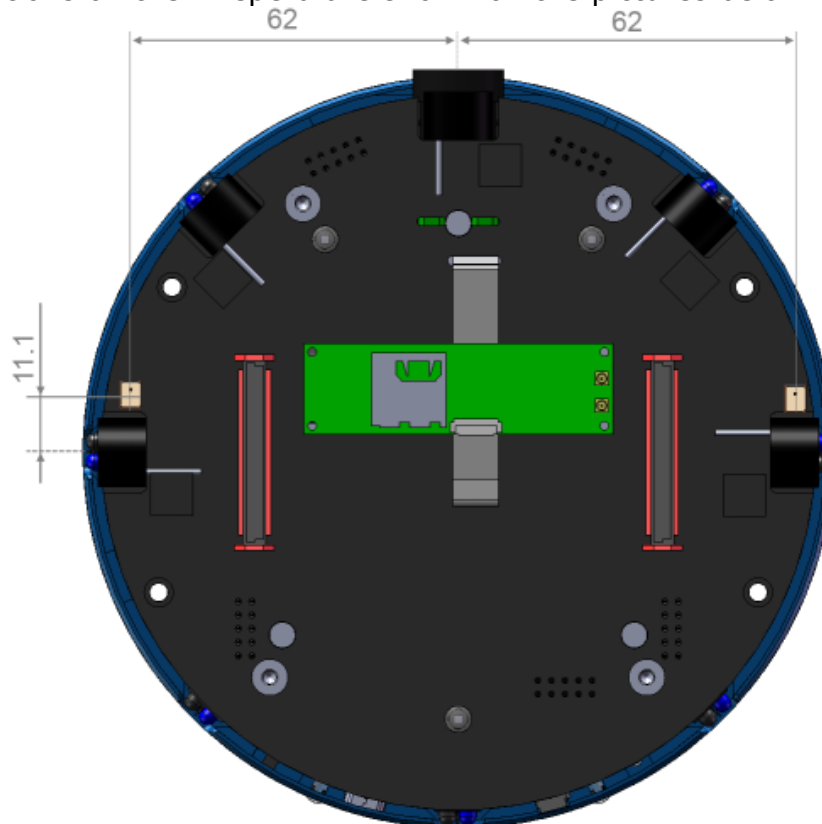


Figure 14 : Microphones positions

4.7 Loudspeaker

A SMS-1308MS-2-R loudspeaker from PUI Audio is mounted on the Khepera IV. This speaker is driven by a 1W low distortion power amplifier. The speaker is connected on the HSOLF audio output of the OVERO. The OVERO can also mute the amplifier with GPIO64 (0 = MUTE, 1 = ampli on).

Speaker Power	0.7W (max 1W)
Impedance	8 Ohm
Output SPL	88dBA
Distortion (max)	5%
Resonant frequency	850Hz \pm 20%
Frequency range	400 ~ 20'000Hz

See chapter 9.4 "Using microphones and speakers" for usage.

4.8 Gumstix Overo FireSTORM COM

The Khepera IV was designed to embed a Gumstix Overo processor board. The computer-on module mounted by default in the Khepera IV is the Gumstix Overo FireSTORM COM. This computer-on-module has an additional DSP to perform special tasks, Bluetooth & WiFi capabilities (SMD antenna mounted on the Khepera).

Architecture:	ARM Cortex-A8
NAND Flash:	512MB
Processor:	Texas Instruments OMAP3730 @ 800MHz
DSP:	C64x Fixed Point DSP 660,800 Mhz
Wifi:	802.11 b/g included
Bluetooth:	included

The Gumstix is provided with a Linux system already installed (Angström distribution).

More information on the Overo can be found on the Gumstix website (www.gumstix.com).

4.9 Accelerometer

The accelerometer mounted on the Khepera IV is a LSM330DLC from ST. This device includes in one package a 3D accelerometer and a 3D gyroscope.

The device is exactly at the center of the robot (placed on the rotation center). The device is located on the TOP of the main PCB.

The accelerometer is oriented with the pin 1 to the front right; this returns a positive value for X axis when going forward. The Y axis is positive on the left, and finally Z axis is negative with the gravity.

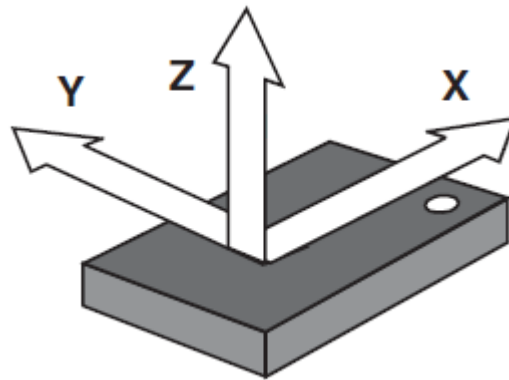


Figure 15 : Directions of detectable accelerations (TOP view)

The accelerometer returns 12-bit data (two's complement) with a range of $\pm 2g$. This means a value of $1g$ will return a value of 16384 . The data rate is configured to $100Hz$, as the dsPIC of the Khepera refreshes 10 values at a time, the user needs to read every $100ms$ ($10Hz$) to obtain fresh data.

4.10 Gyroscope

The gyroscope of the Khepera IV is included in the same package as the accelerometer.

The directions of detectable angular rates are defined around the accelerometer axis.

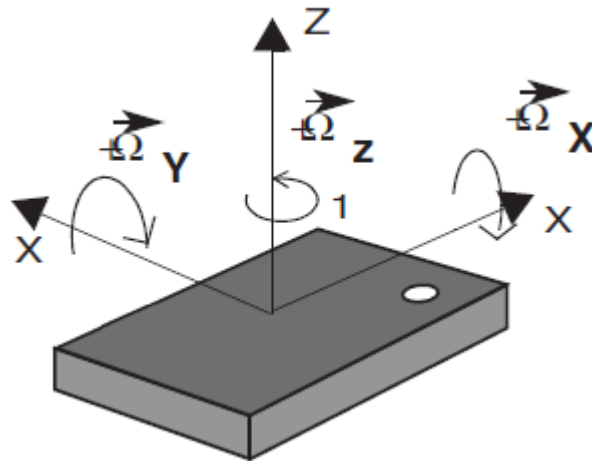


Figure 16 : Directions of detectable angular rates (TOP view)

The data format is on 12 bits too, the full range is configured at +/- 2'000dps (360dps = 5'898) and the data rate is configured at 95Hz.

The gyroscope data is read by packets of 10 values at a time, which means the user can read new data every 105ms to obtain fresh value.

The output has to be multiplied by 0.066 to have [deg/s] units.

4.11 USB Device (mini-USB B connector)

A mini-USB B connector provides access to a USB-to-serial adapter (FT234XD from FTDI) to access directly to the ttyS2 of the Gumstix. Using a terminal provides the access to the boot of the system.

When connecting a computer to this connector for the first time, your local system will ask for driver. FT234XD driver can be found at <http://www.ftdichip.com/Products/ICs/FT234XD.html>.

4.12 MicroSD

A 4GB MicroSD card is provided inside the Khepera IV. The robot will boot on it and use this card. It already contains the OS, kernel and boot files.

See chapter "0

Uploading the kernel and the file system" to rebuild it if needed.

4.13 RGB LED

Three RGB LED (19-337/R6GHBHC-A01/2T from Everlight) are mounted on the TOP of the main board. Each of these LED has a light guide on it.

The LED are driven by a dedicated LED driver (LTC3219 from Linear) which provides a resolution of 6 Bits (0-63) for each color.

These LED can be used to locate the Khepera IV with a camera (at the ceiling) and differentiate each robot (in swarm application). As the LED are placed on a isosceles triangles, the direction of the robot can also be detected.

The physical positions of these LED are shown in the Mechanicals Drawing chapter.

4.14 Motors

The Khepera IV has got 2 DC motors in order to drive its two wheels. The motors have 1.96W nominal power. The integrated gearbox has a reduction ratio of 19:1 and an efficiency of 78%. There is another gearbox within the carter of the motor block, with a ratio of 2:1 and an efficiency of 85%. Total ratio is then 38:1 and efficiency is 66.3%, meaning that there is 1.3W of usable mechanical power by wheel.

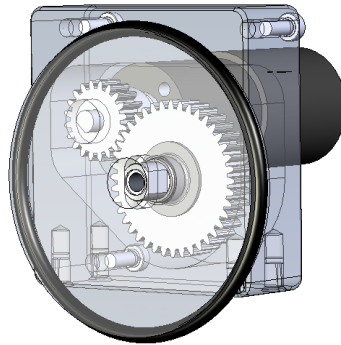


Figure 17 : Motor block with wheel

The encoder has a 128-pulse by turn resolution. With the reduction ratio of 38:1 and an internal hardware 4x multiplier, we have 19'456 pulses by wheel turn. As the diameter of the wheel is 42mm (perimeter is then 131.94mm), this gives 147.4 pulses by millimeter. Or 1 pulse is 0.006782mm (6.7818um).

Reminder: 1 revolution = 131.94mm = 19'456 pulses.

Both motors are controlled via Pulse Width Modulation (PWM) at 20kHz. This technique switches the motor ON and OFF at a given frequency and during a given time. By this way, the motor reacts to the average of the power supply, which can be modified by changing the period the motor is switched ON. This means that only the ratio between ON and OFF periods is modified, as illustrated in the figure below:

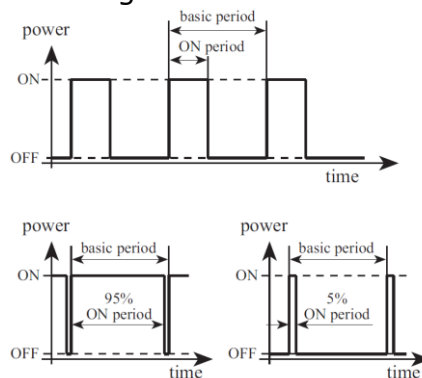


Figure 18 : Duty cycle with PWM

The dsPIC calculates the PWM to apply to each motor in speed control and position control. The user can override the PID and apply directly a desired PWM to the motor using the open loop command.

Default PID settings applied to the Khepera IV controller are:

Kp: 10
Ki: 5
Kp: 1

These values will be used by the PID speed controller. In position control, the PID is the same as the position controller calculates a speed order then calls the speed controller to reach this order.

User can modify these values to improve behaviour to his particular use.

When selecting a type of control, this mode will be applied to both motors. It's not possible to set the left motor in speed control and the right motor in another mode.

To put the motor in idle mode (no more current drawn by the motors), use the open loop control with parameters set to 0. In speed control, even with a parameter of 0, the controller will struggle against any movement.

4.14.1 Speed control

Both DC motors are controlled by a PID controller executed every 10ms in an interrupt routine of the dsPIC. Every term of this controller (Proportional, Integral, Derivative) is associated to a constant, setting the weight of the corresponding term: Kp for the proportional, Ki for the integral, Kd for the derivative.

The controller has as input the speed value of the wheels and controls the motor to keep this wheel speed. The speed modification is made as quick as possible, in an abrupt way. No limitation in acceleration is considered in this mode.

The speed unit corresponds to the difference measured in position between the two controllers' routine (10ms). Here's the formula to convert the speed unit to metric unit.

<i>Refresh time:</i>	10ms
<i>Wheel diameter:</i>	42mm
<i>Revolution resolution:</i>	19'456 [pulses]

$$Speed [mm/s] = \frac{v_{pulses}}{t_{Refresh}} \cdot \frac{\phi_{Wheel} \cdot \pi}{Nb_{pulses}} = \frac{v_{pulses}}{0.01} \cdot \frac{42 \cdot \pi}{19456} = 0.678181 \cdot v_{pulses}$$

Formula to calculate real speed from the measured value

The minimum speed order to ensure a correct control is 5 (=3mm/s). Under this value, the control is not very stable with default PID parameters. User can modify the PID to try to improve the behavior for this kind of very low speed.

The maximum speed order is approximately 1'200 (=813mm/s). It's still possible to move the robot faster if the control mode is set to open loop. In this case, the maximum speed will vary with the battery voltage and the payload.

4.14.2 Speed profile control

This type of control uses the same PID as standard speed controller but adds an acceleration ramp to travel from the actual speed to the new speed order.

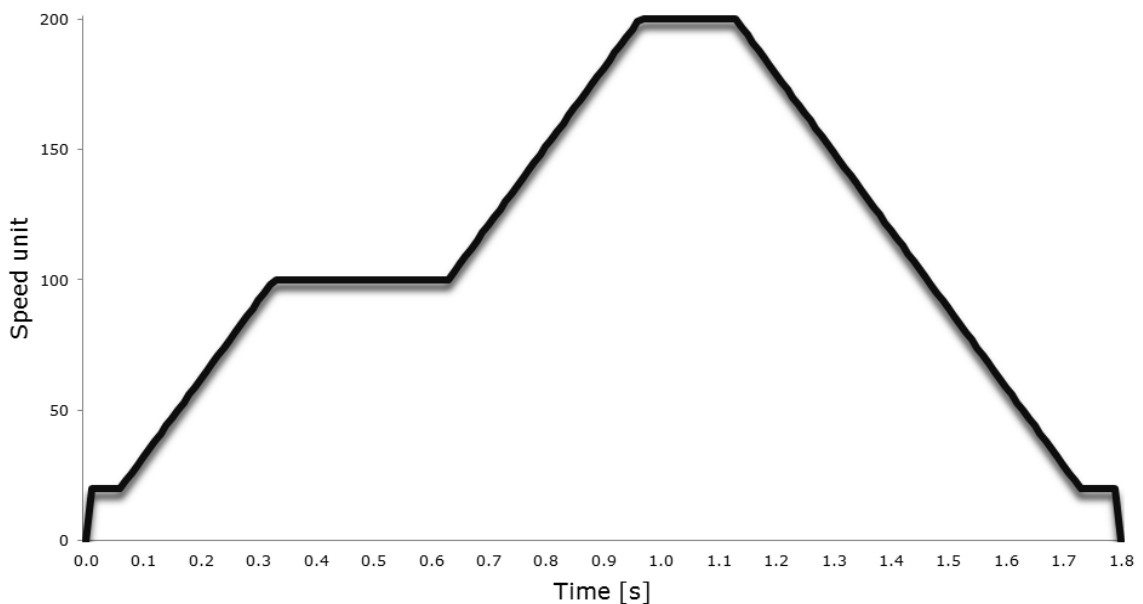
The ramp used in this mode can be configured with the speed profile parameters. Three parameters define the ramp:

Acc_Inc: value of increment to add or subtract every **Acc_Div** + 1 control loop (value from 1 to 255).
Default = 3

Acc_Div: defines the number of control loops where no increment is added to the speed order. For example, a value of 0 means that at every control loop, the speed will be increased by **Acc_Inc**. A value of 4, means that every 5 control loops (50ms) the speed will be modified.
(value from 0 to 255) Default = 0.

Min_Speed_Acc: this parameter defines the minimum speed used by the controller. This value avoids setting a speed too low where the controller is not efficient. If the order value is smaller than this parameter, the controller will automatically limit the speed to **Min_Speed_Acc**. Do not set values lower than 1.
Default = 20.

Here's an example of speed profile with default parameters (**Acc_Inc** = 3, **Acc_Div** = 0, **Min_Speed** = 20).



A speed profile order has been set to 100. After 300ms at constant speed, a new speed order of 200 is set. The motor keeps this speed during 200ms, and finally decreases until reaching 0.

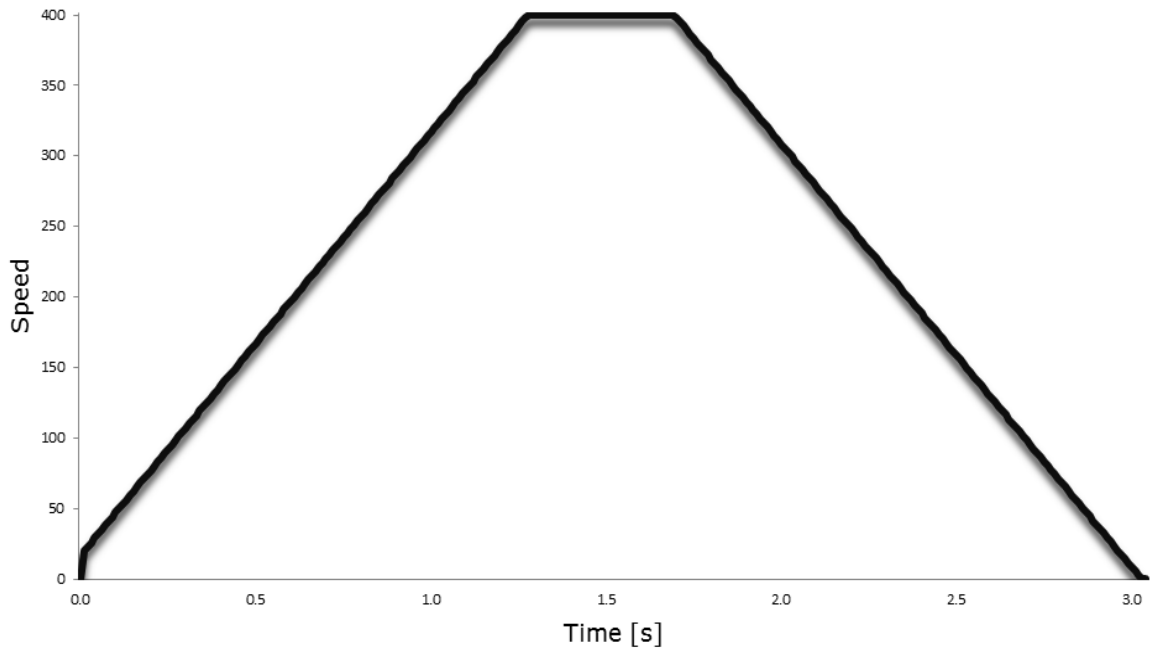
This curve corresponds to the order sent to the PID speed controller. The real speed of the motor will depend on the payload and the PID reactivity.

A higher Acc_Div parameter will increase the time between two steps to allow the PID to reach the speed order. A value of 0 means that the effective motor speed will always be late on the order during the acceleration.

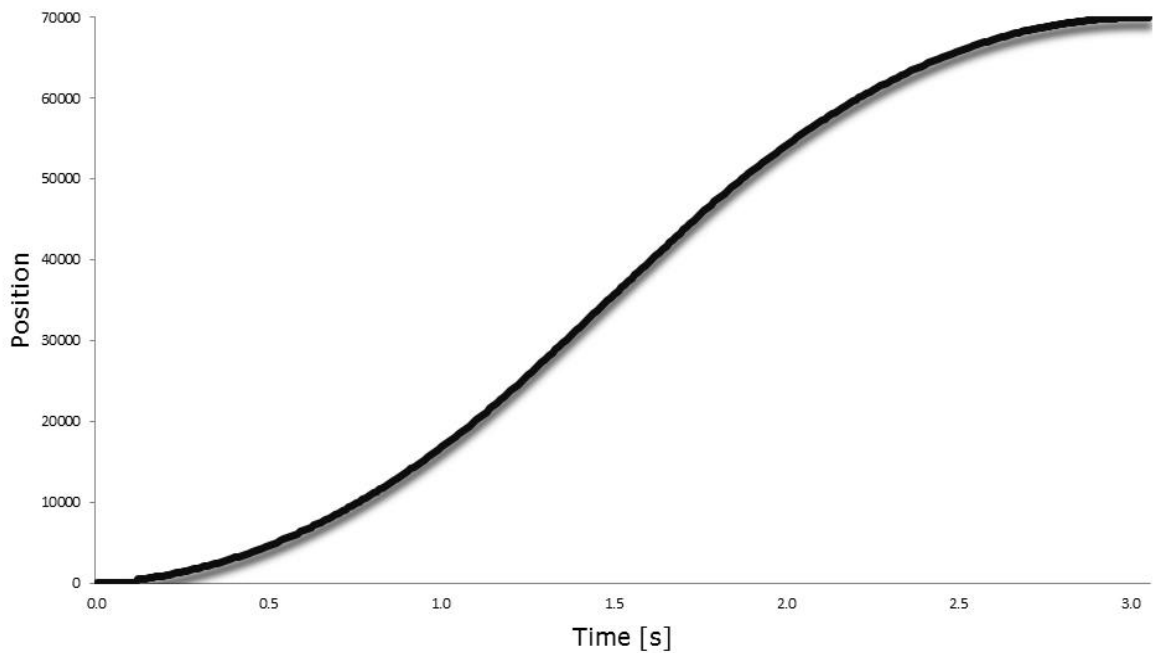
This type of control must be preferred to the simple speed profile in order to avoid high current peaks and preserve the mechanical parts. The user needs to adapt the parameters Acc_Inc and Acc_Div to match the desired behavior (high Acc_Inc for a reactive profile, high Acc_Div for a smooth profile).

4.14.3 Position control

In this mode, the robot will calculate a speed order (which will be processed by the PID) to move the robot using an acceleration ramp, a constant speed, and finally a deceleration ramp.



Speed profile using in position control



Position profile

This example shows a travel of 475mm (70'000 pulses) using the default parameters.

The position control mode uses the same parameter as the speed profile control to calculate the acceleration ramp. The `Min_Speed_Acc` parameter is used only at the start. When reaching the target position, the speed is limited by `Min_Speed_Dec` parameter (default = 1).

In addition to these three parameters, the travel speed can be configured through "Speed_Order" parameter (default = 400).

Finally, the "Pos_Margin" parameter defines the threshold when the position controller stops completely the motor (set 0 to the speed controller). A low margin will increase the precision, but will add an instability to the control. It is not recommended to set this parameter below the default value (10).

To calculate the real distance travelled by the motor, use the formula below:

Wheel diameter: 42mm
 Revolution resolution: 19'456 [pulses]

$$Position[mm] = P_{pulses} \cdot \frac{\phi_{Wheel} \cdot \pi}{Nb_{pulses}} = P_{pulses} \cdot \frac{42 \cdot \pi}{19456} = \frac{P_{pulses}}{147.453}$$

The position is stored in a signed 32 bits data, which means that the maximum position order is +/- 2³¹ pulses (=14'563m).

When performing straight travel (same distance on each wheel), the best solution is to reset the position encoder before sending the target position command.

4.14.4 Open loop

This control mode disables the PID controller and sets directly the PWM to the two motors. This can be useful if the application wants to calculate its own PID.

The range of this command is +/- 2'940 where 2'940 correspond to 100% of PWM in forward direction and -2'940 in backward direction.

If the application wants to disable the motor (to decrease current consumption), the best way is to use this mode and set the PWM to 0. The motor will be in free wheel mode.

5 PROGRAMMING

5.1 Required hardware / software

The required hardware and software to use the board and develop programs are described below.

5.1.1 Required hardware

- Computer with Bluetooth, WiFi, or USB port with Linux or Linux emulation (with a virtual machine, you can also use the toolchain. See chapter 9.5 "Development with a virtual machine").
- Khepera IV robot

5.1.2 Required software

Required free space:

- 3 GB on ***/usr/local*** (for light toolchain)
- 50 MB on user account (***~/***)

Required files:

- 1) Linux OS (kernel 2.6.x) on the computer with the following packages installed:

gcc : GNU C compiler
minicom : terminal emulation
lrzsz : communication package

- 2) From the DVD:

Cross-compiler light : ***khepera4-oetools-light-kb1.0.tar.bz2***

Robot library sources : ***libkhepera_1.0.tar.bz2***

Remarks: you may find updated versions of this software at:

<http://ftp.k-team.com/KheperaIV/software/>

5.2 Software

The following sub-chapters explain the software installation and the application development with the board.

Two development packages are available:

- Light toolchain
- Full toolchain and sources: for advanced users; kernel modifications; packages creation/addition

In the subsequent paragraphs, only the light tool chain is explained. The full toolchain is described in the following chapter "0

Full toolchain usage". With a virtual machine, you can also use the toolchain from another operating system (see chapter 9.5 "Development with a virtual machine").

5.2.1 Installation of light toolchain

The installation of the software required to use the board and the development tool is described in the next sub-chapters.

Below are listed the files needed to install the light toolchain. These files are available on the DVD or from the Internet URL: <http://ftp.k-team.com/KheperaIV/software/>

From *light_toolchain/* folder:

- Light toolchain (cross-compiler only):
khepera4-oetools-light-kbX.Y.tar.bz2 *

From *library/* folder:

- Board library sources: ***libkhepera_X.Y.tar.bz2*** *

* *where X.Y is the release version (may change without notice)*

5.2.1.1 Installation of the development directory

The development directory will be the base folder for your development. It contains links and scripts to easily use the cross-compiler to make your programs.

Create a new development folder *~/khepera4_development* in your home directory and enter into it. You can use the following commands, assuming you are in a console.

```
mkdir ~/khepera4_development  
  
cd ~/khepera4_development
```

5.2.1.2 Installation of the cross-compiler (light toolchain)

Extract the cross compiler ***khepera4-oetools-light-kbX.Y.tar.bz2*** in ***/usr/local*** with the command:

```
sudo tar -xjf khepera4-oetools-light-kbX.Y.tar.bz2 -C /usr/local
```

Remarks: You must be root or use *sudo*. You must put the tools there because there are hardcoded links.

You can check if the installation is correct by running the cross-compiler. Firstly make the environment variables available then check the version of the cross-compiler:

```
cd ~/khepera4_development
```

```
/usr/local/khepera4-oetools/tmp/sysroots/i686-  
linux/usr/armv7a/bin/arm-angstrom-linux-gnueabi-gcc -version
```

=> The last command should return:

```
arm-angstrom-linux-gnueabi-gcc (GCC) 4.3.3
```

...

5.2.1.3 Installation of the robot library

The library is already installed on the robot. To install the library on your development system, follow the following instructions:

Extract the library **libkhepera_X.Y.tar.bz2** in your development folder:

```
tar -xjf libkhepera_X.Y.tar.bz2 -C ~/khepera4_development
```

You can recompile the whole library by running the following commands in the **libkhepera-X.Y** folder:

```
cd ~/khepera4_development/libkhepera-X.Y
```

```
make clean
```

```
make
```

If you modified the library (any file in **src/**), you will have to transfer the file **build-khepera-2.6/lib/libkhepera.so.X.Y** to your robot, overwriting **/usr/lib/libkhepera.so.X.Y**.

The board library contains these files and directories:

build-khepera-2.6/	compiled library and headers
doc/	documentation (API: start in <i>doc/html/index.html</i>)
src/	source code of the library
src/tests	examples and tests source code
template/	template program
Makefile	Makefile for all
README.kteam	readme file

You can find an updated version of the library from the following FTP site:

<http://ftp.k-team.com/KheperaIV/software/library/>

5.2.2 Programming and light toolchain usage

5.2.2.1 Application development

A template program *prog-template.c* is available in the robot library in the folder *libkhepera-X.Y/template*.

You can start your code into the template program and use the following commands to build it. The command runs the **Makefile** script to compile and build the executable program. Type in a console to build the template program:

```
cd ~/khepera4_development/libkhepera-X.Y/template
make
```

=> The "**template**" file is the executable output file.

You can transfer the program to the robot by USB, Bluetooth or WiFi (see chapters "3.2, 9.1 or 9.2.5").

Then execute it on the robot by running:

```
./template
```

The Application Programming Interface documentation of the library is available at:

~/khepera4_development/libkhepera-X.Y/doc/html/index.html

Remarks:

If you modify the program name, you will have to modify its occurrences in the **Makefile** file.

You can find many examples of source code in:

~/khepera4_development/libkhepera-X.Y/src/tests

Try *kh4_example.c* or the big *khepera4_test.c*

They are compiled with the command below. To compile only the examples, run:

```
make clean_tests
make tests
```

See next sub-chapter for using Eclipse guide for editing source code.

See chapter 5.2.3 for debugging your program.

5.2.2.2 C/C++ Programming: using GUI source code editor Eclipse

You can use also Eclipse as source code editor. See instructions below how to install and use it.

1. Install the Java Runtime Environment (JRE) if not already installed.

JRE file there:

<http://java.com/en/download/index.jsp>

2. Download the linux version of "Eclipse IDE for C/C++ Developers (includes Incubating components)" from (for Ubuntu users, don't install with apt-get because, the apt-get version is older):

<http://www.eclipse.org/cdt/>

3. Extract the Eclipse program file:

```
sudo tar -xzf eclipse-cpp-kepler-SR2-linux-gtk.tar.gz -C ~/
```

You can also create a link to the start file:

```
sudo ln -s ~/eclipse/eclipse /usr/bin/eclipse
```

4. You should have installed the latest version of the khepera toolchain (light or full). You can check by opening a terminal and with the command (one line):

```
/usr/local/khepera4-oetools/tmp/sysroots/i686-  
linux/usr/armv7a/bin/arm-angstrom-linux-gnueabi-gdb --version
```

which should return: **GNU gdb (GDB) 7.1**

5. Run eclipse and at the "Workspace launcher" window, choose where you would like to put your project.

Go to file menu "File => C Project" or C++; for running a C++ on the robot. For C++, you must install the standard C++ library with the command: `ipkg install libstdc++6_4.3.3-r22.1.6_armv7a.ipk` on the robot) and choose a Project Name (ex: test).

6. In the next window "C Project", press the "Advanced Settings" button and on the "C/C++ Build => Settings",

for c: On 'Cross GCC C Compiler' change command **gcc** to ***/usr/local/khepera4-oetools/tmp/sysroots/i686-linux/usr/armv7a/bin/arm-angstrom-linux-gnueabi-gcc***

or (depending if your project is C or C++)

for c++: On 'Cross GCC C++ Compiler' change command **g++** to ***/usr/local/khepera4-oetools/tmp/sysroots/i686-linux/usr/armv7a/bin arm-angstrom-linux-gnueabi-g++***

7. On "Cross GCC Compiler" Includes => Include paths, add:

***/usr/local/khepera4-oetools/tmp/sysroots/i686-
linux/usr/include***

8. On Miscellaneous, replace "Other flags" with **`-c -march=armv7-a -mtune=cortex-a8 -Wa,-mcpu=cortex-a8`**
9. On the Cross GCC Linker, change command **`gcc`** to **`/usr/local/khepera4-oetools/tmp/sysroots/i686-linux/usr/armv7a/bin/arm-angstrom-linux-gnueabi-gcc`**
10. On "Cross GCC Linker => Libraries" at "Libraries (-l), add **`khepera`** with the + button on the upper right.
11. At "Libraries search path", add **`/usr/local/khepera4-oetools/tmp/sysroots/armv7a-angstrom-linux-gnueabi/lib`**
12. On "Cross GCC Assembler", in Command field, modify to : **`/usr/local/khepera4-oetools/tmp/sysroots/i686-linux/usr/armv7a/bin/arm-angstrom-linux-gnueabi-as`**
13. Choose "C/C++" Build menu at the left. Choose Release under the configuration list on the right. Repeat the steps above for this configuration from 6.
14. Press "Finish" button.
15. Go to menu "File => New => Source file" choose **`test.c`** as filename
16. Close the Welcome window with its cross at the upper left.
17. Insert in the **`test.c`** file the following C source code:

```

#include <khepera/khepera.h>

int main(int argc, char *argv[]) {
    int rc;

    /* Set the libkhepera debug level - Highly recommended for
    development. */
    kb_set_debug_level(2);

    printf("LibKhepera Template Program\r\n");

    /* Init the khepera library */
    if((rc = kb_init( argc , argv )) < 0 )
        return 1;

    /* ADD YOUR CODE HERE */

    return 0;
}

```

18. Then cross-compile the project with menu "Menu Project => Build-All"
=> The output file will be in the subdirectory Debug or Release of the project.
19. Transfer the file "test" to your robot (see chapter 5.2.2.3).
20. And execute the program file with command:

```
./test
```

5.2.2.3 Transferring files

You can transfer files to and from the robot by different means. The default one is USB (see chapter 3.2). You have also Bluetooth (chapter 9.1). But WiFi is the fastest way (chapter 9.2.5).

5.2.3 Debugging

You can debug a program you made directly in the console on the robot or remotely. You will find on the DVD or online the needed files:

<http://ftp.k-team.com/KheperaIV/software/debug/>

5.2.3.1 Debugging on the robot

- If not installed on the robot (check with command: ***gdb --version***) you need to upload and install the following packages on the robot Install with the command for each .ipk:

```
opkg install PACKAGE_NAME.IPK
libthread-db1_2.9-r37.4.6_armv7a.ipk
gdb_7.1-r8.4.6_armv7a.ipk
```

- Then your program must be cross-compiled with the option ***-g***. Edit your Makefile and replace the flag ***-O2*** by ***-g***.
- Transfer to the robot the compiled program and its source file. And run for debugging it:

```
gdb YOUR_PROGRAM
```

The basic commands are:

```
r           : run
n           : next: one step in the program; enter in subroutines
s           : one step in the program
b line/function : break at line/function
delete break : delete breakpoint number
until line    : continue until line
c           : continue
l           : list code
q           : quit gdb
h           : help; you can have all the commands here
```

A common sequence of debugging can be:

- to list the code with ***l***
- set a breakpoint at the beginning of main with ***b main***
- run the program with ***r***
- execute a step with ***n***
- display a variable with ***p VAR_NAME***
- execute next step with ***n***
- continue to the end with ***c***
- quit with ***q***.

5.2.3.2 Remote debugging

If the debugger is not installed (you can check with the command `gdbserver --version`), you need to upload and install the following package on the robot with the command:

```
opkg install gdbserver_7.1-r8.0.6_armv7a.ipk
```

- Then run the gdbserver with your cross-compiled program and an unused port number as argument (here ***1234***):

```
gdbserver --multi :1234 YOUR_PROGRAM
```

- Go to the folder where you cross-compiled your program
- You can use the debugger in command line or with ***ddd*** GUI:

Command line:

- Execute for running the debugger on the computer (one command line only):

```
/usr/local/khepera4-oetools/tmp/sysroots/i686-linux/usr/  
armv7a/bin/arm-angstrom-linux-gnueabi-gdb YOUR_PROGRAM
```

- In this debugger, set parameter and connect to the remote gdb with these two commands:

```
set sysroot /usr/local/khepera4-oetools/tmp/sysroots/armv7a-  
angstrom-linux-gnueabi  
target extended-remote YOUR_KHEPERA4_IP_ADDRESS:1234
```

With GUI:

- On your computer, install ddd the debugger GUI with :
`sudo apt-get install ddd`
- Launch ddd with (one command line only):

```
ddd --debugger /usr/local/khepera4-oetools/tmp/sysroots/i686-  
linux/usr/armv7a/bin/arm-angstrom-linux-gnueabi-gdb  
YOUR_PROGRAM
```

- In the window at the bottom where the (gdb) prompt is, run these two commands:

```
set sysroot /usr/local/khepera4-oetools-/tmp/sysroots/armv7a-  
angstrom-linux-gnueabi  
  
target extended-remote YOUR_ KHEPERA4_IP_ADDRESS:1234
```

The sequence of debugging and also the commands are the same as described above in chapter 5.2.3.1.

You can even send your program to the robot with the gdb commands:

```
remote put hostfile targetfile  
set remote exec-file targetfile
```

where *hostfile* and *targetfile* is the same name of your new program to be debugged.

For quitting the debugger and remote, execute commands `monitor exit`, then `disconnect` and finally `quit`.

Tips for using the advantage of the GUI:

- For setting a breakpoint, double-click on the line you want to put it, just before the line number or right click at the same place or choose "Set Breakpoint".
- With the floating menu, you have the different commands for debugging.
- You can add a watch on a variable by clicking with the right mouse button on the variable and choose "Display VARIABLE_NAME".

5.2.3.3 Remote debugging with Eclipse

You can also remotely debug your program with Eclipse (see chapter 5.2.2.2 for a proper installation). Follow instructions below:

- Install ***gdbserver*** on your robot as explained in chapter 5.2.3.2 above.
- On Eclipse menu 'Run' => 'Debug Configurations', double click on 'C++ Remote Application'

=> test Debug is created.
- In the 'Main' tab => "C/C++ application", enter: Debug/test
- On "Connection": press "New" button and choose "SSH". In the next window, in ***Host name*** insert the IP address of your robot and press "Finish" button.
- On "Remote Absolute File Path for C/C++ Application" modify to ***/home/root/test***

- In the Debugger tab, in 'Main' tab change 'GDB Debugger' to **`/usr/local/khepera4-oetools/tmp/sysroots/i686-linux/usr/armv7a/bin/arm-angstrom-linux-gnueabi-gdb`**
On 'Shared Libraries' tab add **`/usr/local/khepera4-oetools/tmp/sysroots/armv7a-angstrom-linux-gnueabi/lib`**
- Then press Debug, enter **`root`** as "User ID" and no password.
- Debug step by step.

You can go again into the settings, and select "Release" configuration when your program has been fully debugged.

You can run the program from the robot (with a remote terminal) or with Eclipse GUI.

After having set the Debug configuration, the parameters are also available for the run.

Just go to the Run menu and then choose "Run".

In the lower part of the Eclipse window, you will see the output of your program in the Console tab.

5.3 Full toolchain and sources

The full toolchain is for advanced users who would like to modify the kernel, rebuild the image system or develop new packages for the robot.

Remarks: Prior knowledge of Linux, its kernel and Open Embedded tools is highly recommended.

5.3.1 Required software

Required free space:

- 31 GB on */usr/local* (45 GB including the packed tools)
- 50 MB on user account (*~/*)

Required files:

- Full toolchain : online at <http://ftp.k-team.com/KheperaIV/software>
- Linux packages
 - **g++** : GNU C++ compiler
 - **patch** : patch software
 - **help2man** : manual converter
 - **diffstat** : reads the output of **diff** and displays a histogram
 - **texi2html** : convert to html
 - **makeinfo** : produce doc (**texinfo** on **Ubuntu**)
 - **ncurses-dev** : library allowing the programmer to write (**libncurses5-dev** on **Ubuntu**)
 - **cvcs** : revision control system
 - **gawk** : programming language designed for processing text-based data
 - **python-dev** : dynamic object-oriented programming language
 - **python-pysqlite2** : Python sql interface
 - **subversion** : version control system
 - **git** : fast version control system
 - **chrpath** : allows you to change the rpath (where the application looks for libraries) in an application

On **Ubuntu** Linux distribution, you can use the following command to install all the above packages in one time:

```
sudo apt-get install g++ patch help2man diffstat texi2html
texinfo libncurses5-dev cvs gawk python-dev python-
sqlite2 subversion git-core chrpath
```

Included in the DVD-ROM of the package:

- Cross-compiler and "Open Embedded" tools sources :
khepera-oetools-kbX.Y.tar.bz2 *
- Board library sources : ***libkhepera_X.Y.tar.bz2*** *
- Script and files for uploading kernel
and file system : ***flash, MLO, u-boot.img***

* where X.Y is the release version (may change without notice)

5.3.2 Installation

Install the development directory as explained in chapter 5.2.1.1: "**Installation of the development directory**" if not already done.

- 1) Extract the cross compiler sources ***khepera-oetools-kbX.Y.tar.bz2*** in ***/usr/local*** with the command:

```
sudo tar -xjf khepera-oetools-kbX.Y.tar.bz2 -C /usr/local
```

Remark: you must put the tools there because there are **hardcoded links. You have to overwrite the light tools if they were already installed.**

- 2) You can check if the installation is correct by running the cross-compiler. Firstly make the environment variables available then check the version of the cross-compiler:

```
/usr/local/khepera4-oetools/tmp/sysroots/i686-
linux/usr/armv7a/bin/arm-angstrom-linux-gnueabi-gcc --version
```

=> The last command should return:

```
arm-angstrom-linux-gnueabi-gcc (GCC) 4.3.3
```

- 3) Install the board library as explained in chapter 5.2.1.3: "**Installation of the robot library**".

5.3.3 Full toolchain usage

5.3.3.1 Rebuilding the whole system

To rebuild the toolchain system, the image file and the kernel, execute the following instructions:

1. In a console, in the directory `/usr/local/khepera-oetools`, source the following file to have access to the environment setup:

```
source extras/profile
```

2. With the following commands you can rebuild the whole system:
 - o Cleaning : `bitbake -c clean khepera-image`
 - o Rebuild : `bitbake khepera -image`

=> The output files will be stored in:

`/usr/local/khepera-oetools/tmp/deploy/glibc/images/overo`

Three main files will then be built:

the kernel : **`uImage-2.6.34-r97-overo.bin`**

its modules : **`modules-2.6.34-r97-overo.tgz`**

the file system : **`Angstrom-khepera4-image-glibc-ipk-2010.7-test-20130613-overo.rootfs.tar.bz2`** *

* where **`20130613`** is the release version

Remarks:

You may find updated version of these software at:

<http://ftp.k-team.com/KheperaIV/software/>

With the chapter 5.3.3.3 "Uploading the kernel and the file system", you can upload these files to the robot.

You can find more information about ***bitbake***, the tool for executing task and managing metadata here:

<http://docs.openembedded.org/bitbake/html>

Information about the OEtools is available here:

- Cross-compiler and tools (OpenEmbedded): http://www.openembedded.org/wiki/Main_Page
- Linux distribution of the robot: <http://www.angstrom-distribution.org>
- Gumstix documentation: <http://www.gumstix.org>

5.3.3.2 Kernel modification

You can modify the kernel here by accessing to its menu with these commands:

```
cd /usr/local/khepera-oetools/tmp/work/overo-angstrom-linux-gnueabi/linux-omap3-2.6.34-r97/git/
```

and configure the kernel with:

```
make ARCH=arm menuconfig
```

```
copy ".config" file to /usr/local/khepera-oetools/user.collection/packages/linux/linux-omap3-2.6.34/overo/defconfig  
(defconfig is the new filename)
```

Then you rebuild it and the file system by executing these commands at the root of the *Khepera oetools*:

```
cd /usr/local/khepera-oetools
```

```
source build/profile
```

```
bitbake -c clean virtual/kernel
```

```
bitbake virtual/kernel (may take up to 30 min depending of your  
computer)
```

⇒ The new kernel ***uImage*** file will be located at:
/usr/local/khepera-oetools/tmp/deploy/glibc/images/overo/ uImage-overo.bin

Also build the *filesystem* image:

```
bitbake -c clean khepera4-image
```

```
bitbake khepera4-image
```

⇒ The new *filesystem* will be located at:
/usr/local/khepera-oetools/tmp/deploy/glibc/images/overo/khepera4-image-overo.tar.bz2

You can now upload the files to the robot with chapter 5.3.3.3: "Uploading the kernel and the file system".

5.3.3.3 Uploading the kernel and the file system

You may need to reinstall the OS file of your robot if you want to upgrade or if something went wrong. It is done by modifying the kernel, filesystem and other files on the micro-SD card inserted in the Gumstix.



All the data on the robot will be lost after running the following instructions!



The below procedure should only be done by an advanced user or technician. Please notice that opening the robot will void the warranty.

Material needed:

- Computer with micro SD reader
- **flash**, **MLO** and **u-boot.img** script from DVD (software/micro_SD/partition_copy/FAT32.tar.bz2) or K-Team's ftp

- 1) There is already a micro-SD card in the robot. Carefully open the robot by unscrewing the 4 screws number 16 of figure 3.4 and remove the micro SD card.

If you want to restore everything, start for easy cloning 2) or 3) for each partition. Otherwise continue from 4) and transfer only the new files you want.

- 2) Clone: use HDDRawCopy1.10Portable.exe and the clone on DVD software\micro_SD\partition_copy to put the clone on the micro SD. Then got to 5).
- 3) At first you will need to make 2 partitions on your micro-SD card. Backup all the data on your microSD card before.

Follow the chapters "Partitioning the Card", "Formatting the New Partitions" and "Installing the Boot Files" the instructions there:

<http://www.gumstix.org/create-a-bootable-microsd-card.html>

- 4) You will take the **uImage** and **Angstrom-khepera4-image-glibc-ipk-2010.7-test-20130613-overo.rootfs.tar.bz2** *

* where 20130613 is the release version; may change without notice.

from K-Team ftp or from your full oetools directory (see chapter 5.3.3.2):

/usr/local/khepera-etools/tmp/deploy/glibc/images/overo/

- 5) Insert the micro-SD and carefully put the cover and screws back.

5.4 Microcontroller update

You can reflash the micro-controller of the Khepera robot with a new firmware.

Transfer the files *kh4_bootloader* and the *kh4_firmware_B-04.hex* that are on the DVD in *software/bootloader* to your robot (see chapter “5.2.2.3 Transferring files”).

And run:

```
./kh4_bootloader -f kh4_firmware_B-04.hex
```

Remark: **B-04** is the version of the firmware. It may change without notice.

5.5 Packages installations

With OpenEmbedded, you can easily cross-compile existing packages or add your own ones. You can list installed packages on the board with the command: `opkg list_installed`

5.5.1 Existing packages

Many packages are available for Open-Embedded. Here below are the instructions to add an existing package:

- Check if there is already a recipe package in */usr/local/khepera-etools/org.openembedded.dev/recipes*
- If it is present, you can compile it by running in the */usr/local/khepera-oetools* directory:

```
source extras/profile
```

```
bitbake PACKAGE_NAME
```

- The package will be created in one of the folders into:
/usr/local/khepera-oetools/tmp/deploy/glibc/ipk/
- Transfer the package to the robot (with Minicom or SSH: see chapters 9.1 and 9.2.5”).
- Then install it:

```
opkg install PACKAGE_NAME.ipk
```

5.5.2 Removing packages

You can remove a package with the command:

```
opkg remove PACKAGE_NAME
```

You may have to add the command parameter **--force-depends** if the package depends on others.

5.5.3 Creating new package:

You can create new packages for the robot, following the instructions there:

http://docs.openembedded.org/usermanual/html/recipes_examples.html

And if you installed the full toolchain, an example is available into ***/usr/local/khepera-oetools/user.collection/recipes/helloworld***.

6 COMMUNICATION PROTOCOL (with server only)

This communication protocol allows complete control of the Khepera's functions through a Bluetooth serial line. This can be useful to remote control the robot easily with an application such Matlab for example.

The required configuration is presented in section 9.1 (Bluetooth). By default, the login appears on the Bluetooth port. To deactivate it, comment the line 71 in the file ***/etc/init.d/bluetooth*** by adding a # in the beginning. You can use ***vi*** as editor (see chapter 9.6).

```
# $RFCOMM_EXEC -r watch 0 1 /sbin/getty -w -L rfcomm0 115200 vt100 &
```

And add this line below:

```
$RFCOMM_EXEC -r listen 0 1 &
```

Then restart the Bluetooth services with the command:

```
/etc/init.d/bluetooth restart
```

On the robot, launch the server ***kh4server*** (you must run it after having done the Bluetooth connection):

```
./kh4server
```

Currently there is a bug in the kernel in rfcomm. When the BT connection is closed or lost the robot OS crashes.

The protocol is made of commands and responses, all in standard ASCII codes. A command is sent from the host computer to the Khepera: it is starting with an upper case alpha character and followed, if necessary, with numerical parameters separated with comma and terminated by a line feed. The response is sent by the robot to the host computer: it is starting with the same character that was initiating the command but using lower case, and followed, if necessary, with numerical parameters.

Notation:

- ↵ stands for carriage return (Enter or Return key pressed)
- \r stands for ASCII character 0x0A (line feed)
- \n stands for ASCII character 0x0D (carriage return)

A Start Braitenberg mode

Format of the command:

A,mode↵

Format of the response:

a \r\n

Effect: Start the Braitenberg mode with the Infrared sensor (mode = 0. To stop the Braitenberg mode, send the A,2 command.

Example: **A,0**↵

Syntax: A,0

B Read firmware version

Format of the command:

B ↵

Format of the response:

b,version_0s \r\n

Effect: Return the software version stored in the flash memory of the microcontroller.

C Unused

D Set Speed

Format of the command:

D,speed_motor_left, speed_motor_right ↵

Format of the response:

d \r\n

Effect: Set the speed of the both motors with PID (without profile). 0 will stop the engine. Max forward speed is 1200 and max backward speed -1200. See chapter 4.14.1 "Speed control" for details.

Example: **D,200,-200**↵

E Read Speed

Format of the command:

E ↵

Format of the response:

e, speed_motor_left, speed_motor_right \r\n

Effect: Read the speed of the motors. See chapter 4.14.1 "Speed control" for details of the unit.

F Set position

Format of the command:

F, motor_left, motor_right ↵

Format of the response:

f \r\n

Effect: Set the position goal in encoder values. The controller will use the PID and profile to reach the goal. See chapter 4.14.3 "Position controlSpeed control" for details of the unit.

G Get US values

Format of the command:

G↵

Format of the response:

g,0,25,83,70,1000 \r\n

Effect: Get the values of the Ultrasonic values. 1000, means nothing detected in range, 0 means something under 25cm, between 25 and 250 means the distance of an object in [cm].

H Configure PID

Format of the command:

H,P,I,D↵

Format of the response:

h \r\n

Effect: Set the Proportional, Integral and Derivative of the PID controller.

Example: **H**,10,5,1↵

I Reset encoders

Format of the command:

I ↵

Format of the response:

i \r\n

Effect: Reset the values of the motors encoders.

J Configure the speed profile

Format of the command:

J,acc_inc,acc_div,min_speed_acc,min_speed_dec,max_speed ↵

Format of the response:

j \r\n

Effect: Configure the speed profile. See chapter 4.14.2 "Speed profile control" for details.

K Set the RGB leds

Format of the command:

K, lr,lg,lb,rr,rg,rb,br,bg,bb ↵

Format of the response:

k \r\n

Effect: Set the 3 color leds. Values are in range [0-63]. First letter is the position: l=left,r=right and b=back. Second letter is the color: r= red, g=green, b=blue

Example: **K**,63,0,0,0,63,0,0,0,63 ↵

L Set the speed in openloop mode

Format of the command:

L, left_motor,right_motor ↵

Format of the response:

l \r\n

Effect: Set the speed of the motor in the open loop control mode. Maximum is +/-2940 which corresponds to 100% of PWM.

Example: **L**,500,-500 ↵

M Reset the motors controllers

Format of the command:

M ↵

Format of the response:

m \r\n

Effect: Reset the motors controllers.

Example: **M**

N Read proximity sensors

Format of the command:

N ↵

Format of the response:

n, **Back_Left**, **Left**, **Front_Left**, **Front**, **Front_Right**, **Right**,
Back_right, **Back**, **Ground_Left**, **Ground_Front_Left**,
Ground_Front_Right, **Ground_Right** \r\n

Effect: Read the 10 bit (0 to 1024) proximity value of each infra-red sensors.

Note: The smaller the value, the further the object is from it. A value of 900 (i.e.) means that an obstacle is very close from the sensor. Incandescent IR sources (the Sun,...) can perturb the sensors.

O Read ambient light sensors

Format of the command:

O ↵

Format of the response:

o, **Back_Left**, **Left**, **Front_Left**, **Front**, **Front_Right**, **Right**,
Back_right, **Back**, **Ground_Left**, **Ground_Front_Left**,
Ground_Front_Right, **Ground_Right** \r\n

Effect: Read the 10 bit (0 to 1024) brightness value of each infra-red sensors.

Note: A value of 0 means that the sensors is saturated with IR light, and a big value means that there's no IR light source in front the sensor. IR light comes from an incandescent light, like the Sun, a fire...

P **Configure position margin**

Format of the command:

P, margin ↵

Format of the response:

p \r\n

Effect: the "margin" parameter defines the threshold when the position controller stops completely the motor (set 0 to the speed controller).

Example: **P, 10 ↵**

Q **Unused**

R **Read encoders position**

Format of the command:

R ↵

Format of the response:

r,left_motor, right_motor \r\n

Effect: Read motor encoder position values. See chapter "Position controlSpeed control" for details of the unit.

S **Gyroscope**

Format of the command:

S ↵

Format of the response:

s,x1,x2,...,x10,y1,y2,y3,...,y10,z1,z2,z3,...,z10\r\n

Effect: Read gyroscope values, new data coming first. See chapter 4.10 "GyroscopeSpeed control" for details of the unit.

T Accelerometer

Format of the command:

T ↵

Format of the response:

t,x1,x2,...,x10,y1,y2,y3,...,y10,z1,z2,z3,...,z10\r\n

Effect: Read accelerometer values, new data coming first. See chapter 4.9 "AccelerometerSpeed control" for details of the unit.

U Configure the ultrasonic sensors

Format of the command:

U,config ↵

Format of the response:

u \r\n

Effect: Configure which US sensor is activated. Left=1, front left=2, front=4, front right=8, right=16, all=31, none=0. They can be combined by addition: for example, left+right => 17

Example: **U,31** ↵

V Get battery status

Format of the command:

V,argument ↵

Format of the response:

u \r\n

Effect: Get the battery status where argument is:
0 : voltage in [mV]
1 : current in [mA]
2 : average current in [mA]
3 : absolute remaining capacity in [mAh]
4 : battery temperature in [C]
5 : relative remaining capacity in [%]
6 : whether the charger is plugged (1), or not (0)
7 : the status number of the battery controller DS2781

Example: **V,0** ↵

W Unused

X Binary read

Format of the command:

x ↵

Format of the response:

xBinary_data\r\n

Effect: Read the sensors data in binary mode in 67 bytes:
1 byte 'x' char, 24 bytes proximity sensor, 24 bytes proximity ambient light sensor, 8 bytes motor speed, 8 bytes motor position, 1 byte line feed (\n), 1 byte carriage return (\r)

Y Unused

Z Microcontroller Reset

Format of the command:

z ↵

Format of the response:

z\r\n

Effect: This command allows resetting the robot microcontroller as it was cycled On/Off

7 EXTENSION CONNECTORS

The extension connectors of the Khepera IV are based on KB-250 and are basically connected the same as for the KoreBot 2 board. KoreBot extensions are compatible with Khepera IV, although the inverse is not necessarily true.

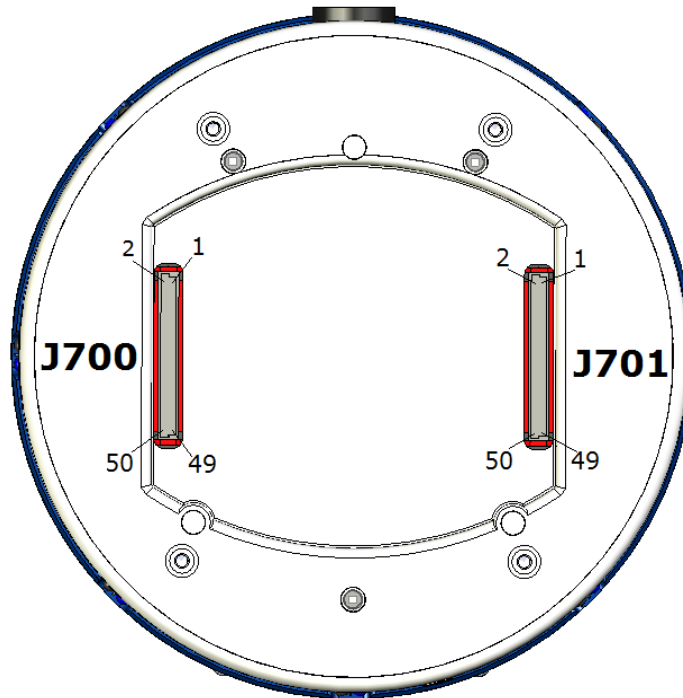


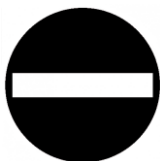
Figure 19 : extension connectors

Signals types

NC	: Not connected
P	: Power
I	: Input
O	: Output
I/O	: Input/Output



Please note that the three magnets have a total force of adherence of about 2700g. Do not put your watch too close of them.



Never plug a KoreBot (1, 2, LE) on these connectors.

7.1 J700 Pin-out

Pos.	Type	Name	Pos.	Type	Name
1	P	+3V3	2	P	+3V3
3	P	Ground	4	P	Ground
5	NC	Not Connected	6	NC	Not Connected
7	NC	Not Connected	8	NC	Not Connected
9	O	COM1, TX (ttyS0)	10	I	COM1, RX (ttyS0)
11	NC	Not Connected	12	NC	Not Connected
13	I	Reset in, active low	14	O	Reset out, active low
15	I/O	USB device D+	16	I/O	USB device D-
17	P	USB device VBUS in	18	I/O	USB device ID
19	O	LCD bit 17	20	O	LCD bit 16
21	O	LCD bias	22	O	LCD PCLK
23	O	LCD LCLK	24	O	LCD FCLK
25	O	LCD bit 15	26	O	LCD bit 14
27	O	LCD bit 13	28	O	LCD bit 12
29	O	LCD bit 11	30	O	LCD bit 10
31	O	LCD bit 9	32	O	LCD bit 8
33	O	LCD bit 7	34	O	LCD bit 6
35	O	LCD bit 5	36	O	LCD bit 4
37	O	LCD bit 3	38	O	LCD bit 2
39	O	LCD bit 1	40	O	LCD bit 0
41	NC	Not Connected	42	NC	Not Connected
43	P	+5V	44	P	+5V
45	I	dsPIC MCLR, active low	46	NC	Not Connected
47	P	Ground	48	P	Ground
49	P	Ground	50	P	Ground

Table 2 : J700 pin-out

7.2 J701 Pin-out

Pos.	Type	Name	Pos.	Type	Name
1	P	+3V3	2	P	+3V3
3	P	+5V	4	P	+5V
5	P	Ground	6	P	Ground
7	O	COM3, TX (ttyS2)	8	NC	Not Connected
9	NC	Not Connected	10	I	COM3, RX (ttyS2)
11	NC	Not Connected	12	I	Interrupt 1
13	I	Interrupt 2	14	NC	Not Connected
15	O	I ² C Serial clock	16	I/O	I ² C Serial data
17	NC	Not Connected	18	NC	Not Connected
19	NC	Not Connected	20	O	USB Host High cur. enable
21	P	USH Host VBUS	22	I/O	USB Host D-
23	I/O	USB Host D+	24	NC	Not Connected
25	NC	Not Connected	26	I/O	SPI MISO
27	I/O	SPI MOSI	28	O	SPI Clock
29	O	SPI Chip Select	30	NC	Not Connected
31	NC	Not Connected	32	NC	Not Connected
33	O	PWM 1	34	O	PWM 0
35	NC	Not Connected	36	NC	Not Connected
37	NC	Not Connected	38	NC	Not Connected
39	NC	Not Connected	40	NC	Not Connected
41	I	dsPIC PGC	42	I	dsPIC PGD
43	P	Battery out (after SW)	44	P	Battery in (before charger)
45	NC	Not Connected	46	NC	Not Connected
47	NC	Not Connected	48	NC	Not Connected
49	P	Ground	50	P	Ground

Table 3 : J701 pin-out



Figure 8.2 : Front view

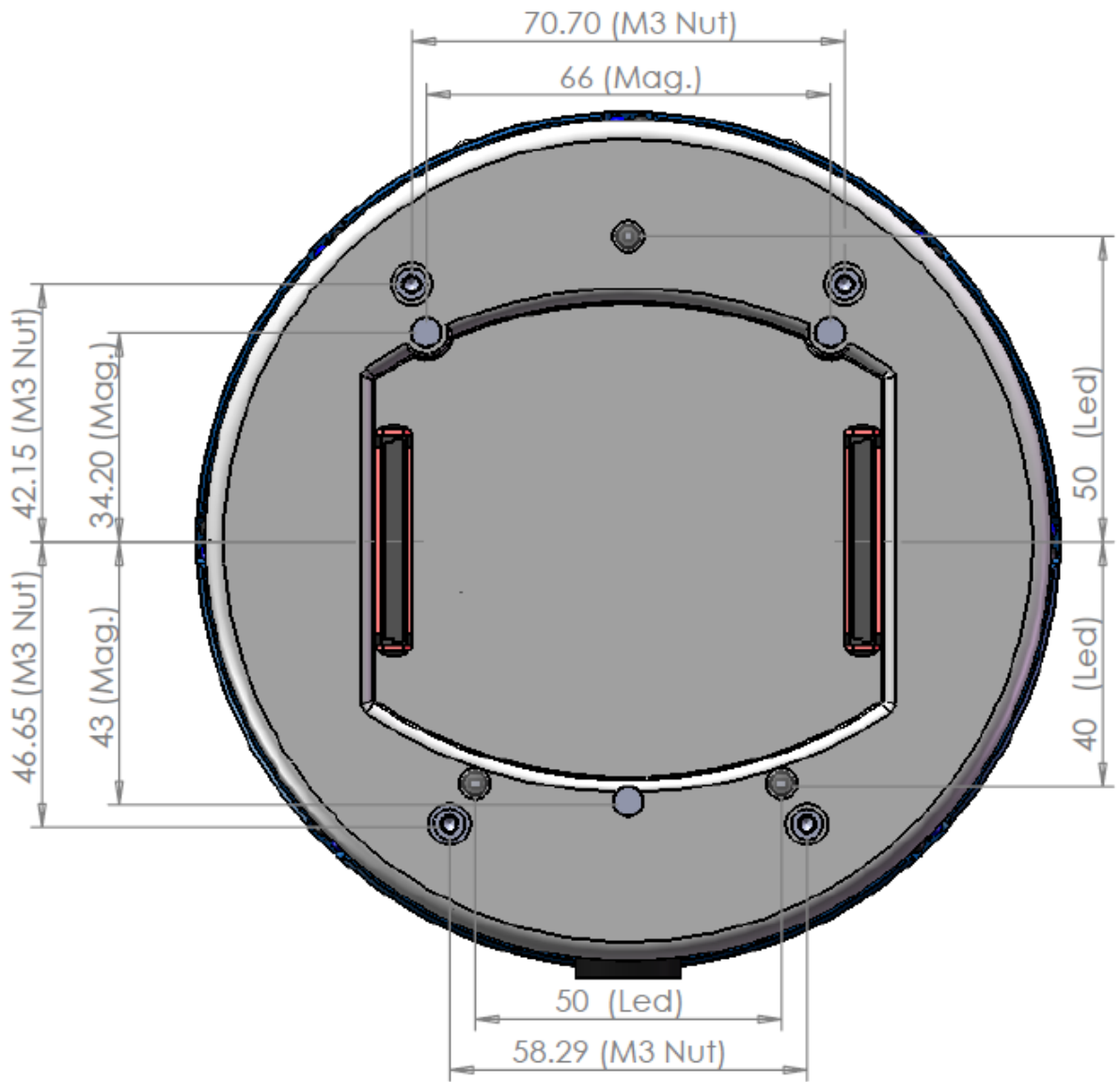


Figure 8.3 : Top view

9 ANNEXES

9.1 Using Bluetooth

The following explanation will be for the Bluetooth on Linux. For Windows with Bluetooth, you can use *Teraterm* (<http://ttssh2.sourceforge.jp>) and jump to 3)-5) then 8).

- 1) Install the Linux package **lrzsz** containing communications programs. If your Linux distribution is Ubuntu:

```
sudo apt-get install lrzsz
```

- 2) On the Linux computer, run the emulation terminal Minicom:

```
sudo minicom
```

If Minicom is not installed you have to install this package. For Linux Distribution "Ubuntu", the command is:

```
sudo apt-get install minicom
```

Install **blueman**, a Bluetooth manager for Linux:

```
sudo apt-get install blueman
```

- 3) Switch the robot on.
- 4) Go to the Bluetooth configuration of your computer and search for a new device (with **blueman**). The robot will appear as **khepera4-ABCD**, where **ABCD** is the serial number. Pair the robot with the access key: **0000** (four zeros). With **blueman**, right click on the paired **khepera4-ABCD**, choose "**Connect to: Serial Port**".
- 5) Run minicom with the command: `sudo minicom -o`
- 6) Set its parameters with the sub-menu "Serial port setup" of the menu [configuration] (keys Ctrl-a + o) as described in Figure 9.1. Press RETURN key to validate each time.

9) Login to the robot with the following parameters:

Login : **root**

Password : **(none, press "Return" key)**

=> You are at the prompt of the robot's Linux console.

9.1.1 To send a file to the robot (upload)

- In the Minicom console, hold the keys "**Ctrl + a**" and press "**s**" and select "Z-Modem".
- Select the file you would like to upload to the robot (navigate with the arrows keys, 2x "**spacebar**" to change directory and "**spacebar**" to select the file).

Select [Okay] to send it.

For Windows, on Teraterm, go to **File / Transfer / Z-Modem / Send** and choose the file to send.

9.1.2 To send a file to the computer (download)

In the Minicom console at the prompt of the robot, type the following command, where FILENAME is the file you would like to send.

```
lsz FILENAME
```

=> The file FILENAME is sent to the last directory Minicom used (or if not changed, where it started).

For Windows, on Teraterm, go to the menu **File / Change directory** and change the directory to receive the file to.

Then go to **File / Transfer / Z-Modem / Receive** to receive the file.

9.2 Using WiFi

There are different ways described below for configuring the WiFi network, depending on the given security.

You can transfer file with the *scp* command (see chapter 9.2.5). You can have remote access to the robot with chapter 9.2.6.

9.2.1 IP without any encryption for security

- Modify the file */etc/network/interfaces* with your wireless network settings:

YOUR_SSID_OF_NETWORK	your wireless network name
wlan2	interface number (get it with command
iwconfig)	

```
/****** /etc/network/interfaces file *****/
.
.
.
    auto wlan2
    iface wlan2 inet dhcp
    wireless_mode managed
    wireless_essid YOUR_SSID_OF_NETWORK
.
.
.
/*****/
```

- Restart the network with the following command:

```
/etc/init.d/networking restart
```

- You can get the IP with the command : *ifconfig*

9.2.2 Fixed IP without any encryption for security

- Modify the file */etc/network/interfaces* with your wireless network settings:

YOUR_SSID_OF_NETWORK	the SSID of your wireless network
YOUR_IP_ADDRESS	the IP address you would like for the robot
YOUR_NETMASK	the netmask of your wireless network
YOUR_GATEWAY_IP	the gateway of your wireless network
wlan2	interface number (get it with command
iwconfig)	

```

/***** /etc/network/interfaces file *****/
.
.
.
auto wlan2
#iface wlan2 inet dhcp
iface wlan2 inet static
    wireless_mode managed
    wireless_essid YOUR_SSID_OF_NETWORK
    address YOUR_IP_ADDRESS
    netmask YOUR_NETMASK
    gateway YOUR_GATEWAY_IP
.
.
.
/*****/

```

The 3 last following steps are optional but will get you Internet connection:

- delete the link /etc/resolv.conf : `rm /etc/resolv.conf`
- insert the local domain name in **/etc/resolv.conf**
`echo search YOUR_LOCAL_DOMAIN_NAME >>/etc/resolv.conf`
- and the dns server
`echo nameserver YOUR_DNSSERVER_IPADDRESS >>/etc/resolv.conf`
- Restart the network with the following command:
`/etc/init.d/networking restart`

9.2.3 WEP encryption support

- for configuring the WiFi connection, type:
`iwconfig wlan2 essid YOUR_SSID_OF_NETWORK`
 - if the network is secured, enter the key by typing :
`iwconfig wlan2 key YOUR_KEY`
 - then set an IP address to the robot:
`ifconfig wlan2 YOUR_IP_ADDRESS`
 - configure the gateway by entering the gateway IP:
`route add default gw YOUR_GATEWAY_IP wlan2`
 - insert the local domain name in **/etc/resolv.conf**
`echo search YOUR_LOCAL_DOMAIN_NAME >>etc/resolv.conf`
 - and the DNS server
`echo nameserver YOUR_DNSSERVER_IPADDRESS >>/etc/resolv.conf`
- You can also create a file in **/etc/network/if-pre-up.d** named 'wireless' to have these settings saved.

Put the following into it:

```
#!/bin/sh  
ifconfig wlan2 up  
iwconfig wlan2 essid YOUR_SSID_OF_NETWORK  
iwconfig wlan2 key s:YOUR_KEY  
ifconfig wlan2 YOUR_IP_ADDRESS  
route add default gw YOUR_GATEWAY_IP wlan2
```

And the following in a file named */etc/resolv.conf*:

```
search YOUR_LOCAL_DOMAIN_NAME  
nameserver YOUR_DNS_SERVER_IP_ADDRESS
```

Restart the network with the following command:

```
/etc/init.d/networking restart
```

9.2.4 WEP, WPA and other encryptions:

- Create a file named */etc/wpa_supplicant/wpa_supplicant.conf* and insert your selected wireless encryption:

WEP:

```
#Shared WEP key connection (no WPA):  
network={  
    ssid="YOUR_SSID"  
    key_mgmt=NONE  
    wep_key0="YOUR_WEP_KEY"  
    auth_alg=SHARED  
    wep_tx_keyidx=0  
    priority=5  
}
```

WPA-TKIP:

```
#/etc/wpa_supplicant/wpa_supplicant.conf  
#with WPA-PSK TKIP:  
network={  
    ssid="YOUR_SSID"  
    psk="YOUR_PASS_KEY"  
    key_mgmt=WPA-PSK  
    group=TKIP  
    pairwise=TKIP  
    proto=WPA  
    priority=5  
}
```

You can check the following link for other encryptions:

http://hostap.epitest.fi/wpa_supplicant/

- run the daemon controlling the wireless connection with the following command (one line):

```
wpa_supplicant -c /etc/wpa_supplicant/wpa_supplicant.conf -  
i wlan2 -Dwext -B
```

- In **/etc/network/if-pre-up.d** named **'wireless'**, add the following commands:

```
#!/bin/sh  
ifconfig wlan2 up  
ifconfig wlan2 YOUR_IP_ADDRESS  
route add default gw YOUR_GATEWAY wlan2  
wpa_supplicant -c /etc/wpa_supplicant/wpa_supplicant.conf -i  
wlan2 -Dwext -B
```

- reboot the system or restart the network with the following command:

```
/etc/init.d/networking restart
```

9.2.5 Transferring files using scp

- Establish a network connection between the computer and the robot, either with WiFi.
- Execute the following command:

```
scp FILE root@KHEPERA4_IP:/home/root
```

where **FILE** : is the file to transfer,

KHEPERA4_IP : is the robot IP address.

Press the Return key when a password is asked.

On Windows, you can use WinSCP (<http://www.winscp.net>).

9.2.6 Remote access

You can have remote access to the robot console while using WiFi

- Establish a connection between the robot and the computer with one of the connections WiFi method described in the chapters above.
- In a console of the computer, launch the **ssh** command, where KHEPERA4_IP_ADDRESS is the network address of your robot:

```
ssh root@KHEPERA4_IP_ADDRESS
```

- Accept the *host authenticity* by answering yes in pushing Return key.

=> **root@khepera4:~#** appears; you are logged in.

9.2.7 NFS configuration

The first service to set up should be transparent file sharing using NFS. Most Linux distributions include NFS support by default, and the robot system is ready to be connected. The directory to be shared between the computer and the board must be declared to the NFS service in the `/etc/exports` configuration file. Please refer to NFS documentation (or `man exports`) for a detailed syntax description. Basically, the following line should be added to the file `/etc/exports` on the computer:

```
/mnt/nfsarm KHEPERA4_IP/255.255.255.0(rw,no_root_squash,sync)
```

And make this folder on the computer:

```
mkdir /mnt/nfsarm
```

The next step is to mount the shared directory to the robot file system. Mounting a local hard drive partition or a network directory is exactly the same from the user point of view, the mount commands should be on the robot, where `COMPUTER_IP`, is the IP address of the computer which the robot will be connected:

```
mkdir /mnt/nfs  
mount -t nfs -o nolock COMPUTER_IP:/mnt/nfsarm /mnt/nfs
```

If the NFS service is not started on the PC, the mount command will issue the following message:

```
mount: RPC: Unable to receive; errno = Connection refused  
NFS: mount program did not respond!  
mount: nfsmount failed: Bad file descriptor
```

The NFS service is usually started using a startup script for which location and name depend on you distribution (for example `/etc/init.d/nfs`). Documentation for the distribution should detail the method to start and stop services.

Caution: For the NFS service to work properly, the portmap service should be started as well and if a firewall is active on the host machine, it should be configured to allow the NFS port access from the robot.

Once the directory is successfully mounted, it can be accessed from the board exactly as if it was a local directory. Files on the PC can be read or written, new files can be created, and programs can be executed, as long as they are ARM executables. If required, the shared directory can be unmounted using the command:

```
umount myMountPoint
```

9.3 Using the camera module

The driver of the camera (*mt9v032.so*) is loaded by default on start-up.

9.3.1 Taking images

With the *v4l2grab* program, you can take snapshots pictures with the camera:

```
v4l2grab -o image.jpg -W 752 -H 480 -q 85
```

where:

image.jpg is the output image file in JPEG format

752 is the width of the image in pixel (max)

480 is the height of the image in pixel (max)

85 is the quality jpg compression in %

9.3.2 Video streaming

There is a mjpeg streamer with web server installed by default on the robot.

- Firstly, set a network connection as explained in chapters 9.2.
- Then launch the mjpeg streamer with the following command on the robot (in one line command only):

```
mjpg_streamer -i "input_uvc.so -yuv -f 15" -o  
"output_http.so -w /usr/local/mjpg-streamer/www"
```

- On a computer connected to the same network, you can have access to the video streaming at http://KHEPERA4_IP:8080/?action=stream, where *KHEPERA4_IP* is the robot network address.

You can stop with the **CTRL-c** keys.

You can configure the web server in the folder */usr/local/mjpg-streamer/www*. Some help is available in the file */usr/local/mjpg-streamer/www/README*.

9.3.3 Programming Image processing

In the chapter "5.2.2.1 Application development", you will find how to modify and compile the example source code. Select the following example for the camera, function of *camera_example()*:

```
~/khepera4_development/lib_khepera-1.0/khepera4_test.c
```

Driver source code: you can access to the driver if you installed the full toolchain. The driver *bitbake* recipe is located in:

```
/usr/local/khepera4-oetools/user.collection/recipes/mt9v032-module
```

It is useful if you would like to change the **autoexposure**, **hdr**, **autogain** or **low_light** parameters. You can test with the right combination of these parameters in unloading the driver and reloading it with these parameters in argument; example:

```
rmmod mt9v032
modprobe mt9v032 hdr=1
```

After compiling the module with **bitbake**, copy the file to the robot and install it. You need to remove the kernel module before:

```
opkg remove --force-depends kernel-module-mt9v032
opkg install mt9v032-module_1.0-r97.6_overo.ipk
```

9.3.4 Changing colors levels (whitebalance)

You need the full toolchain (chapter 5.3) to change the colors levels.

For testing, modify on your computer in file:

/usr/local/khepera4-oetools/tmp/work/overo-angstrom-linux-gnueabi/linux-omap3-2.6.34-r97/git/drivers/media/video/isp/isppreview.c

The structure **ispprev_rgbtorgb** contains the RGB blending, especially the parameters **RR**, **GG** and **BB** with the matrix equation linking input to output colors:

<pre>static struct ispprev_rgbtorgb flr_rgb2rgb = { { // RGB-RGB Matrix gains {RR, RG, RB }, {GR, GG, GB }, {BR, BG, BB} }, // RGB Offset {Rof, Gof, Bof} };</pre> <p style="text-align: center;">C code</p>	$\begin{pmatrix} R_{out} \\ G_{out} \\ B_{out} \end{pmatrix} = \begin{pmatrix} RR_f & RG_f & RB_f \\ GR_f & GG_f & GB_f \\ BR_f & BG_f & BB_f \end{pmatrix} \cdot \begin{pmatrix} R_{in} \\ G_{in} \\ B_{in} \end{pmatrix} + \begin{pmatrix} Rof_f \\ Gof_f \\ Bof_f \end{pmatrix}$ <p style="text-align: center;">Equation</p>
--	---

These parameters are integer values. They are coded in fixed-point numbers: S12Q8 for the 9 gains and S10Q0 for the 3 offsets.

For converting the gains for the array, multiply by 256 and round the value. For the offsets, just round the value:

Example:

```
RRf = 0.8 GGf = 1.0 BBf = 1.5 Roff = 10.5
=>
RR = 205 GG = 256 BB = 384 Rof = 11
```

By default, all the parameters are zeros except RR= 256, GG = 314 and BB = 498, which is for an incandescent light source.

Then recompile the kernel:

- Install the needed program `uboot-mkimage` with :
`sudo apt-get install boot-mkimage`
- go to folder
`/usr/local/khepera4-oetools/tmp/work/overo-angstrom-linux-gnueabi/linux-omap3-2.6.34-r97/git/`
- add cross-compiler to path:
`set PATH=$PATH :/usr/local/khepera4-oetools/tmp/sysroots/i686-linux/usr/armv7a/bin`
- compile the kernel with the commands:
`make clean`
`make -j8 ARCH=arm CROSS_COMPILE=arm-angstrom-linux-gnueabi-uImage`
- in **`/usr/local/khepera4-oetools/tmp/work/overo-angstrom-linux-gnueabi/linux-omap3-2.6.34-r97/git/arch/arm/boot/`** you will have the kernel file **`uImage`** . Use this file for the point 2) of chapter 0.

For future recompilations of the kernel and creations of the filesystem:

When you have found the right parameters, insert them in the existing patch file:

`/usr/local/khepera4-oetools/user.collection/recipes/linux/linux-omap3-2.6.34/overo/isppreview.patch`

and rebuild the kernel and filesystem as explained in chapter 5.3.3.1.

9.4 Using microphones and speakers

Playing:

You must switch ON the speakers with the commands:

```
echo 64 >/sys/class/gpio/export
echo out >/sys/class/gpio/gpio64/direction
echo 1 >/sys/class/gpio/gpio64/value
```

You can play PCM WAV files with ***aplay*** and the syntax:

```
aplay FILE.wav
```

and MPEG audio files with ***madplay*** and the syntax:

```
madplay FILENAME -o cdda:- | aplay -f cdr
```

You can then switch the speakers OFF with:

```
echo 0 >/sys/class/gpio/gpio64/value
echo 64 >/sys/class/gpio/unexport
```

Recording:

You can record PCM WAV with ***arecord*** and the syntax:

```
arecord -f cd FILENAME.wav
```

The ***-f cd*** parameter sets the recording in stereo mode in CD quality. See with the command ***arecord -h*** for all the parameters and help.

Controlling volume:

You can modify the playback volume by launching the volume mixer with the command:

```
alsamixer
```

You change channel with the keyboard left and right arrows and volume with the up/down arrows. The channels are for speakers of the robot:

"Dac2 Analog" for standard control

"Dac2 Digital Coarse" for rough control

"Dac2 Fine Coarse" for fine control

You can change left and right with while a channel above is selected with:

Q and Z for left

W and X for both

E and C for right

And mute:

left with < key

right with > key

Pushing ***h*** will get you more help.

For modifying the record volume, push the Tab key while in ***alsamixer***. You change channel with the keyboard left and right arrows and volume with the up/down arrows. The channels are for the robot:

"Analog Left Main Mic" for mute settings of right micro*

"Analog Right Sub Mic" for mute settings of left micro*

*Micros left and right are inverted.

By default the record channels are muted. While a channel is selected, pushing spacebar will toggle it.

You can change left and right while the "***Analog***" is selected with:

Q and Z for left

W and X for both

E and C for right

Programming playback and record:

In the chapter "5.2.2.1 Application development", you will find how to modify and compile the examples source code. Select the following example for the sound, function of ***test_sound()***:

~/khepera4_development/lib_khepera-1.0/khepera4_test.c

9.5 Development with a virtual machine

You can install the development tools on a virtual machine if you don't have access to a Linux machine.

You can even find a virtual machine image already configured with the development tools on the DVD or there:

http://ftp.k-team.com/KheperaIV/software/virtual_machine/

- for the light tools (~2.8 GB):
Ubuntu_LTS_Khepera4_light_tools.ova

- Download and install VirtualBox, version 4.3.8 or newer for your computer from:

<https://www.virtualbox.org/wiki/Downloads>

If you choose a more recent version, you will have to reinstall the Guest Additions after having imported the image; see VirtualBox user manual (also, if you update Ubuntu, you will have to reinstall the Guest Additions).

- Download and install also the **VirtualBox 4.3.8 Oracle VM VirtualBox Extension Pack** from the webpage above.
- Import on of the image file above with "File" menu, "Import Appliance" in the VirtualBox Manager.

This will take some time and hard disk space (~8 GB for the light tools).

- Create the directory **C:\virtual_machine_shared** on your computer. This will be the shared directory for transferring data between the virtual machine and your host computer. It corresponds to the directory **/media/sf_virtual_machine_shared** of the virtual machine.
- Start the virtual machine with your imported image:

Its login is:

```
username: user
password: root2014
```

- The development tools are already installed. The development folder **khepera4_development** is in **/home/user/khepera4_development**
- Eclipse development program is already installed and configured. You can start to use it as described in chapter 5.2.2.2 from point 15.
- You may need to update the toolchain. Remove the older one and follow instructions in chapter 5.2.1 or 5.3.2 depending if this is the light or full toolchain.

Stopping the virtual machine:

When going to the menu "Machine" and "Close, you will have 3 choices:

- "Save the machine state": saves the current state, which will be reloaded next time you restart it.
- "Send the shutdown signal", or press the shutdown button into the machine: power off the machine and save only the work done.
- "Power off the machine": WARNING: it doesn't save anything; any work done will be discarded!

Serial port sharing:

You may configure your virtual machine to share the serial port to connect to the robot (for using Bluetooth ...).

- Power off your virtual machine.
- Select your machine image and press "Settings" button.
- Go to "Serial Ports" settings;
- On the tab "Port 1", enable the checkbox "Enable Serial Port" and choose:

Port Number: *COM1 (=> this will be the Linux serial port /dev/ttyS0)*

Port Mode: *Host Device*

Port/File Path: *COM1 if you have a standard serial port and using COM1. Or adapt to your computer serial port or Bluetooth emulated serial port.*

9.6 Using vi text file editor

You can use the installed **vi** text file editor to modify files directly on the robot.

Launch it with: **vi FILENAME**

where **FILENAME** is the filename with path you would like to edit.

Here below are some of the basic commands:

i	enters in write mode for adding text. You will see the I indicating this mode at the last line of the console: I /tmp/essai 1/1 100%
a	enters in write mode for adding text. You will see the I indicating this mode at the last line of the console: I /tmp/essai 1/1 100%
ESC	to go back in command mode, push ESC key
x	delete character on cursor
d d	delete current line
arrow keys	move around text
ESC : set number	to display line number
ESC : w q !	to save and quit
ESC : q !	to quit without saving

You will find more commands here:

<http://www.tutorialspoint.com/unix/unix-vi-editor.htm>

10 WARRANTY

K-TEAM warrants that the Product is free from defects in materials and workmanship and in conformity with the respective specifications of the product for the minimum legal duration, respectively two years from the date of delivery.

Upon discovery of a defect in materials, workmanship or failure to meet the specifications in the Product during the aforementioned period, Customer must request help on K-TEAM Internet forum on www.k-team.com/forum/ by detailing:

- The type of Product used (package, version).
- The expansion modules.
- The programming environment of the Product (standard, version, OS).
- The standard use of Product before the appearance of the problem.
- The description of the problem.

If no answers have been received within two working days, Customer can contact K-TEAM support by phone or by electronic mail with the full reference of its order and Product serial number.

K-TEAM shall then, at K-TEAM's sole discretion, either repair such Product or replace it with the equivalent product without charging any technical labour fee and repair parts cost to Customer, on the condition that Customer brings such Product to K-TEAM within the period mentioned before. In case of repair or replacement, K-TEAM may own all the parts removed from the defective Product. K-TEAM may use new and/or reconditioned parts made by various manufacturers in performing warranty repairs and replacement of the Product. Even if K-TEAM repairs or replaces the Product, its original warranty term is not extended.

This limited warranty is invalid if the factory-applied serial number has been altered or removed from the Product.

This limited warranty covers only the hardware and software components contained in the Product. It does not cover technical assistance for hardware or software usage and it does not cover any software products contained in the Product. K-TEAM excludes all warranties expressed or implied in respect of any additional software provided with Product and any such software is provided "AS IS" unless expressly provided for in any enclosed software limited warranty. Please refer to the End User License Agreements included with the Product for your rights with regard to the licensor or supplier of the software parts of the Product and the parties' respective obligations with respect to the software.

This limited warranty is non-transferable.

It is likely that the contents of Customer's flash memory will be lost or reformatted in the course of the service and K-TEAM will not be responsible

for any damage to or loss of any programs, data or other information stored on any media or any part of the Product serviced hereunder or damage or loss arising from the Product not being available for use before, during or after the period of service provided or any indirect or consequential damages resulting therefore.

IF DURING THE REPAIR OF THE PRODUCT THE CONTENTS OF THE FLASH MEMORY ARE ALTERED, DELETED, OR IN ANY WAY MODIFIED, K-TEAM IS NOT RESPONSIBLE WHATEVER. CUSTOMER'S PRODUCT WILL BE RETURNED TO CUSTOMER CONFIGURED AS ORIGINALLY PURCHASED (SUBJECT TO AVAILABILITY OF SOFTWARE).

Be sure to remove all third parties' hardware, software, features, parts, options, alterations, and attachments not warranted by K-TEAM prior to Product service. K-TEAM is not responsible for any loss or damage to these items.

This warranty is limited as set out herein and does not cover, any consumable items (such as batteries) supplied with the Product; any accessory products which is not contained in the Product; cosmetic damages; damage or loss to any software programs, data, or removable storage media; or damage due to (1) acts of God, accident, misuse, abuse, negligence, commercial use or modifications of the Product; (2) improper operation or maintenance of the Product; (3) connection to improper voltage supply; or (4) attempted repair by any party other than a K-TEAM authorized robot service facility.

This limited warranty does not apply when the malfunction results from the use of the Product in conjunction with any accessories, products or ancillary or peripheral equipment, or where it is determined by K-Team that there is no fault with the Product itself.

K-TEAM EXPRESSLY DISCLAIMS ALL OTHER WARRANTIES THAN STATED HEREINBEFORE, EXPRESSED OR IMPLIED, INCLUDING WITHOUT LIMITATION IMPLIED WARRANTIES OF MERCHANTABILITY AND FITNESS FOR A PARTICULAR PURPOSE TO THE FULLEST EXTENT PERMITTED BY LAW.

Limitation of Liability: IN NO EVENT SHALL EITHER PARTY BE LIABLE TO THE OTHER FOR ANY INDIRECT, SPECIAL, INCIDENTAL OR CONSEQUENTIAL DAMAGES RESULTING FROM PERFORMANCE OR FAILURE TO PERFORM UNDER THE CONTRACT, OR FROM THE FURNISHING, PERFORMANCE OR USE OF ANY GOODS OR SERVICE SOLD OR PROVIDED PURSUANT HERETO, WHETHER DUE TO A BREACH OF CONTRACT, BREACH OF WARRANTY, NEGLIGENCE, OR OTHERWISE. SAVE THAT NOTHING HEREIN SHALL LIMIT EITHER PARTY'S LIABILITY FOR DEATH OR PERSONAL INJURY ARISING FROM ITS NEGLIGENCE, NEITHER PARTY SHALL HAVE ANY LIABILITY TO THE OTHER FOR INDIRECT OR PUNITIVE DAMAGES OR FOR ANY CLAIM BY ANY THIRD PARTY EXCEPT AS EXPRESSLY PROVIDED HEREIN.



K-Team S.A.
Z.I. Les Plans-Praz 28
1337 Vallorbe
Switzerland
